

eNet server for rail mounting
 Art. No. : ENET-SERVER
 Plug-in power supply 12 V
 Art. No. : ST NT 12 V DC

Operating instructions

1 Safety instructions



Electrical devices may only be mounted and connected by electrically skilled persons.

Serious injuries, fire or property damage possible. Please read and follow manual fully.

Fire hazard! Operation exclusively with the power supplies listed under accessories

Use plug power supply only for the eNet server. Do not connect any other devices. Damage to devices may result.

The radio communication takes place via a non-exclusively available transmission path, and is therefore not suitable for safety-related applications, such as emergency stop and emergency call.

These instructions are an integral part of the product, and must remain with the end customer.

2 Device components

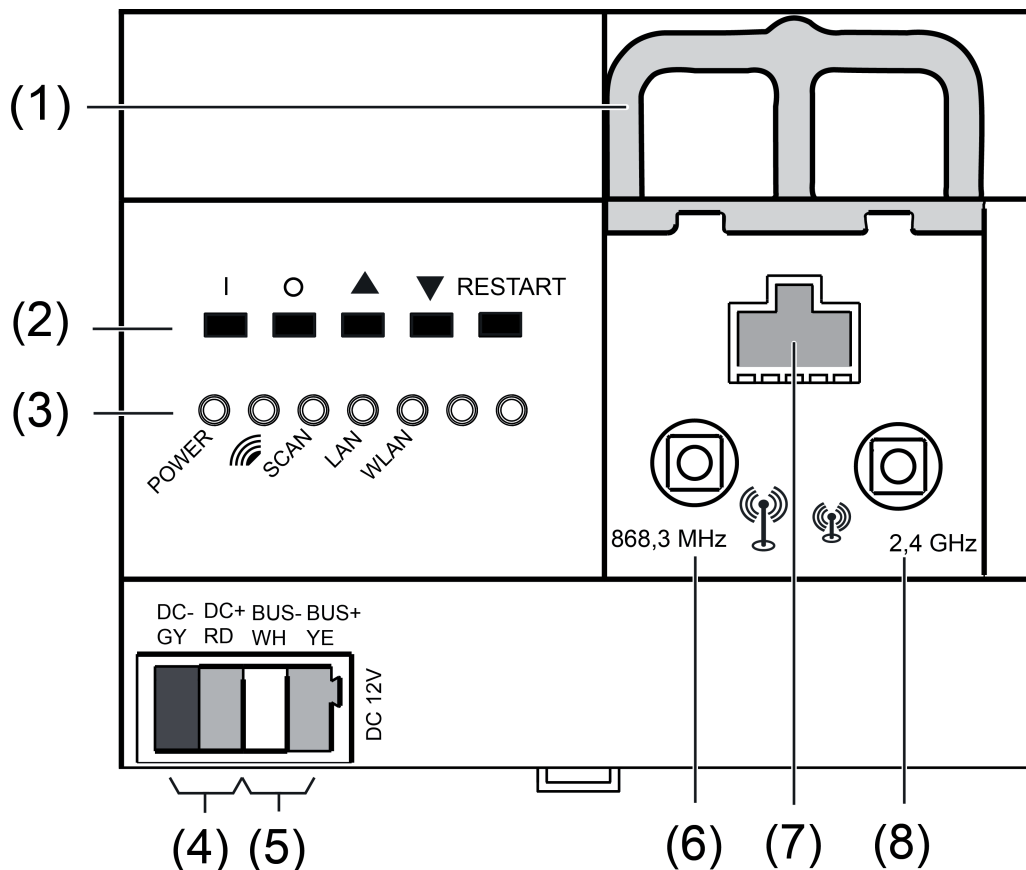


Figure 1: Front view eNet server

- (1) Slide for retaining the antenna cable
- (2) Buttons for manual operation and restart

- (3) LEDs
- (4) Power supply connection
- (5) Data cable connection
- (6) Socket for external eNet antenna
- (7) RJ45 socket for Ethernet connection
- (8) Socket for external WLAN antenna

3 Function

Intended use


- Commissioning, diagnosis and maintenance of an eNet installation via PC, tablet and laptop
- Operation of an eNet installation via smartphone
- Radio receiver for eNet RMD modules
- Operation only with approved power supply (see accessories)
- Mounting on DIN rail according to EN 60715 in distribution boxes with power supply RMD
- Mobile use of the eNet server with plug power supply (scope of delivery)

Product characteristics

- Internal eNet radio and WLAN antenna
- External eNet radio and WLAN antennas for extending the radio ranges can additionally be connected
- LEDs for signalling
- Buttons for construction site mode and restart of the eNet server
- Electrical separation between the connections of the external antennas and the Ethernet connection
- Fully-encrypted radio transmission (AES-CCM) from eNet Server software version 2.0

Signalling

The table below provides an overview of the signalling via LEDs of the eNet server.

Labelling, Colour of the LED	Function
POWER , green	Flashes: eNet-Server starts Illuminated: eNet server ready for operation
 , green	eNet radio transmission active
SCAN , green	Scan operating mode active
LAN , green	Ethernet connection active
WLAN , green	WLAN connection active

4 Operation

Operation on the device

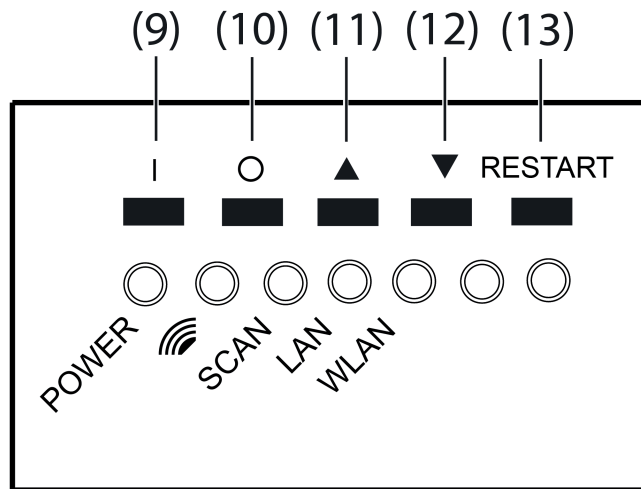


Figure 2: Buttons of the eNet server for manual operation

- (9) Button **I**: All On
- (10) Button **O**: All Off
- (11) Button **▲**: All Up
- (12) Button **▼**: All Down
- (13) Button **RESTART**

Switching all switches and dimmers

- Press **I** button to switch on.
- Press **O** button to switch off.

Moving all blinds/shutters


- Press **▲** button to raise the blinds/shutters.
- Press **▼** button to lower the blinds/shutters.

Performing a restart


The eNet server can be restarted without voltage interruption via the **RESTART** button.

- Press the **RESTART** button (13) for longer than 10 seconds.
A restart of the eNet server is performed. The **POWER** LED flashes during the restart and illuminates when the eNet server is ready for operation.

Resetting network configuration


- Press the **RESTART** button (13) for longer than 4 seconds.
The **POWER**,  and **SCAN** LEDs flash.
- To reset the network configuration to LAN with fixed IP address (192.168.0.22), press **▼** button within 10 seconds.
- To reset the network configuration to LAN with DHCP-Modus, press **▲** button within 10 seconds.
The network configuration is reset and WLAN deactivated.

Resetting users and passwords to factory setting

- Press the **RESTART** button (13) for longer than 4 seconds.
The **POWER**,  and **SCAN** LEDs flash.

- Within 10 seconds press **I** button for 4 seconds.
Users and passwords are reset to factory setting. A restart of the eNet server is performed. The **POWER** LED flashes during the restart and illuminates when the eNet server is ready for operation.
- ⓘ For first log-on, enter "admin" both as the username and password. For security reasons, change the password after this.

Delete project

- Press the **RESTART** button (13) for longer than 4 seconds.
The **POWER**,  and **SCAN** LEDs flash.
- Within 10 seconds press **O** button for 4 seconds.
The project is deleted. A restart of the eNet server is performed. The **POWER** LED flashes during the restart and illuminates when the eNet server is ready for operation.

5 Information for electrically skilled persons

5.1 Fitting and electrical connection



DANGER!

Electrical shock when live parts are touched.

Electrical shocks can be fatal.

Before working on the device, disconnect the power supply and cover up live parts in the working environment.

Fitting the device

Observe the temperature range. Ensure adequate cooling.

- Mount device on DIN rail with the terminals facing downwards.facing downwards.

Connecting the device

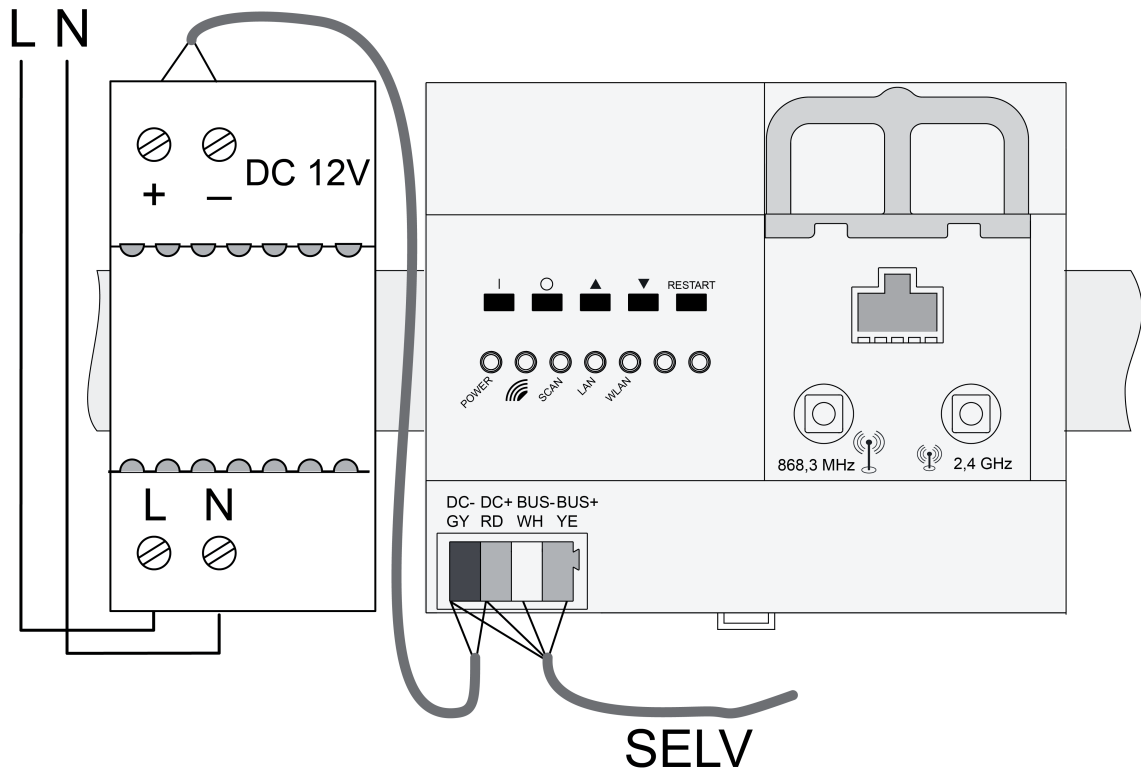


Figure 3: Connection diagram

Use a suitable bus line, e.g. J-Y(St)Y 2x2x0.8.

- Connect the device according to the connection diagram (Figure 3).
- i** Unfavourable installation conditions make radio reception more difficult. In the case of metallic sub-divisions etc., connect external antenna and position it on a metallic surface outside of the distribution board.
- i** Do not connect the eNet server to an RMD radio receiver.

Connection assignment

Labelling / Colour	Connection
DC- , GY / dark grey	Power supply, -
DC+ , RD / red	Power supply, +
BUS- , WH / white	Data cable, -
BUS+ , YE / yellow	Data cable, +

Connect the power supply

- i** The plug power supply (scope of delivery) must be used for mobile use of the eNet server.
- i** The secondary line of the plug power supply carries SELV potential and is only singly insulated. When using the plug power supply in subdistributors, ensure safe isolation from other voltages, e.g through insulation.

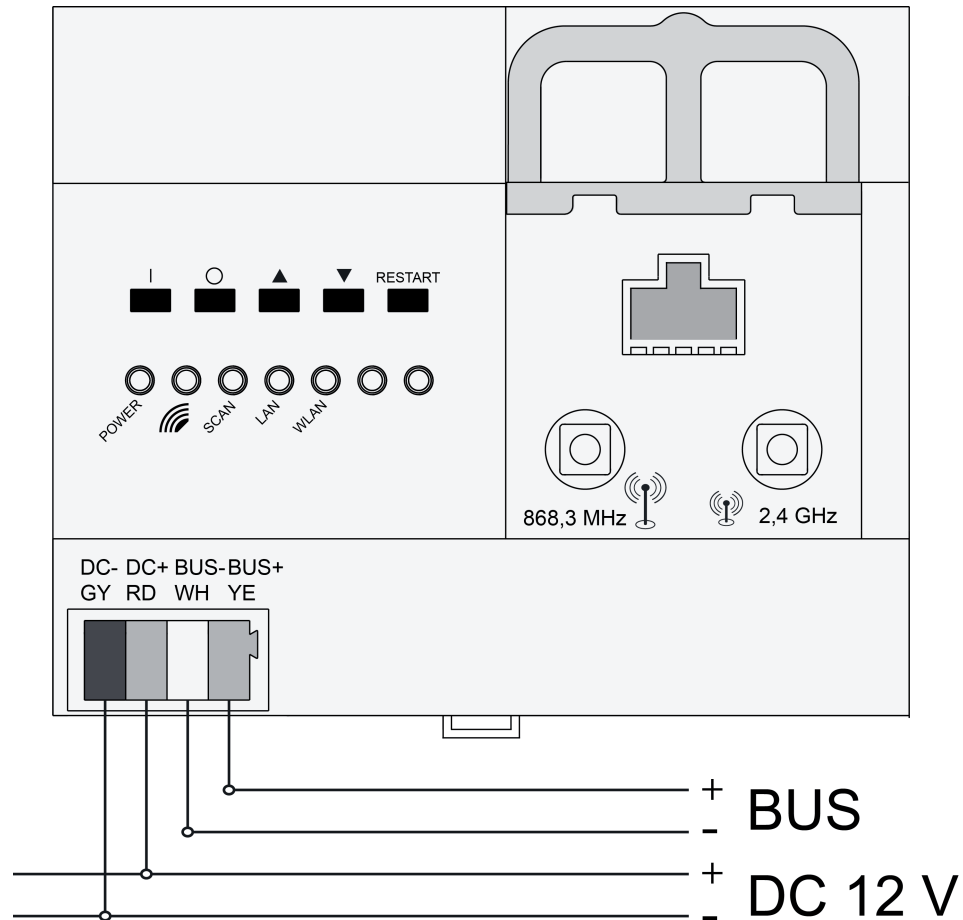


Figure 4: Connection of the power supply RMD

- Connect power supply to the connection (4) of the eNet server.
- Switch on voltage.
The eNet server is started.

Connecting external antennas

An external WLAN antenna can be connected to improve the radio range of the WLAN connection. An eNet antenna can be connected to improve the radio range between the eNet server and installation devices.

- Unlock the slide (1) by pulling the end of the bow forwards. Pull out slide.
- Place the antenna outside of the distribution board and insert antenna cable into the distribution board.
- i** The eNet antenna must be mounted on a metallic surface.
- i** The antenna cables carry SELV potential and are only singly insulated. Ensure safe isolation from other voltages, e.g. through insulation.
- Insert the antenna connector into the socket (6) for the eNet antenna or socket (8) for the WiFi antenna.
- Re-insert slide (1) until it engages noticeably.
- i** The slide fixes the antenna cable in place and ensures that the maximum installation height in the distribution board is maintained.

5.2 Commissioning

Connecting computer with eNet server

A wired network connection (LAN) via a router is required for the first commissioning of the eNet Server. Addressing takes place automatically via DHCP. In the as-delivered state, the eNet Server is appropriately preconfigured.

i Supported web browsers: Google Chrome, Internet Explorer, Firefox, EDGE

Precondition: The eNet Server is installed, the power supply and any external antennas are connected.

Connection via IP address of the eNet Server

Precondition: The **eNet SMART HOME app** is installed on a smartphone. The smartphone is connected to a WiFi router.

i The IP address of the eNet server can be found on the Home page and in the System menu of the app.

- Set up the network connection between the eNet Server and the computer via the Wifi router.
- Start web browser.
- Enter the IP address of the eNet Server in the address line of the web browser.

The log-in window of the commissioning interface is opened in the web browser.

Connection via domain name of the eNet Server

- Set up the network connection between the eNet Server and the computer via a WiFi router.
- Start web browser.
- Enter the **eNetServer** in the address line of the web browser.

i With some routers, the host name of the router must also be entered, e.g. **eNetServer.fritz.box**.

The log-in window of the commissioning interface is opened in the web browser.

Log into the commissioning interface

- Enter your username and password.

i For first log-on, enter "admin" both as the username and password. For security reasons, change the password after this.

- Select **Anmelden**.

i For trouble-free data transmission a wired connection via LAN is recommended.

6 Appendix

Legal Notice

This product incorporates open source software components covered by the terms of third party copyright notices and/or license agreements. The technical documentation of the eNet server contains detailed information on this.

6.1 Technical data

eNet server for rail mounting, Art. No. ENET-SERVER

Rated voltage	DC 12 V SELV
Current consumption	400 mA
Power consumption mode	max. 6 W
Standby	max. 2 W
Ambient temperature	-5 ... +45 °C
Storage/transport temperature	-20 ... +70 °C

Relative humidity	20 ... 70 % (No moisture condensation)
Protection class	III
Fitting width	108 mm / 6 modules
Connections	
Supply	Connection terminal
LAN	RJ45-socket 8-pin
WLAN antenna, external	SMB socket
Bus line	
Cable length	max. 3 m
RMD channels	
Number	max. 32
IP communication	
LAN	Ethernet 10/100 MBit
WLAN	2,4 GHz, IEEE 802.11n
IP connections	max. 8
eNet communication	
Radio frequency	868.0 ... 868.6 MHz
Transmitting range in free field	typ. 100 m
Transmission capacity	max. 20 mW
Receiver category	2

Plug-in power supply 12 V, Art. No. ST NT 12 V DC

Rated voltage	AC 230 / 240 V ~
Mains frequency	50 / 60 Hz
Output voltage	DC 12 V =
Output current	max. 1 A
Primary current	max. 130 mA
Connected load	12 W
Efficiency	approx. 80 %
Ambient temperature	+5 ... +25 °C

6.2 Accessories

Power supply 12 V, for rail mounting	Art. No. NT1220REGVDC
Radio antenna	Art. No. FMANT
WLAN antenna	Art. No. FM WLAN ANT
Plug-in power supply 12 V	Art. No. ST NT 12 V DC

6.3 Conformity

Albrecht Jung GmbH & Co. KG hereby declares that the radio system type

Art. No. ENET-SERVER / ST NT 12 V DC

corresponds to the directive 2014/53/EU. You can find the full article number on the device. The complete text of the EU Declaration of Conformity is available under the Internet address:

www.jung.de/ce

6.4 Warranty

The warranty follows about the specialty store in between the legal framework as provided for by law.

6.5 Additional information

You can find a Quick Start Guide as an introduction to working with the eNet Server, product documentation for working with the **eNet SMART HOME connect** and additional information on the eNet system at www.jung.de.



eNet server for rail mounting

JUNG

ALBRECHT JUNG GMBH & CO. KG

Volmestraße 1
58579 Schalksmühle
GERMANY

Telefon: +49 2355 806-0
Telefax: +49 2355 806-204
kundencenter@jung.de
www.jung.de