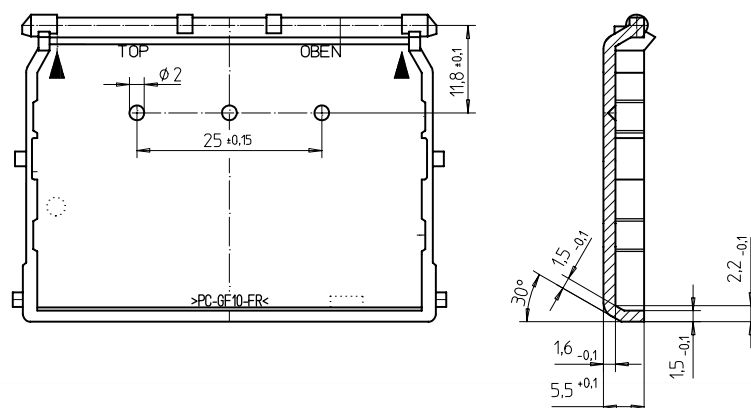


Mounting plates for data connection caps

Ref.-No. 54	1
Ref.-no. 54 OCS.....	2
Ref.-no. 54 SC.....	3
Ref.-no. 54-2 SC	3
Ref.-no. 54 XLR-D.....	4
Ref.-no. 54 XLR-S.....	4
Ref.-no. 54-1 ACS.....	5
Ref.-no. 54-1 WE.....	6
Ref.-no. 54-2 ACS.....	7
Ref.-no. 54-15 WE.....	8
Ref.-no. 54-25 WE.....	9
Ref.-no. 54-2 BNC 12.7.....	10
Ref.-no. 54-2 BNC 9.7.....	10
Ref.-no. 54-2 CXLR.....	11
Ref.-no. 54-2 D15.....	11
Ref.-no. 54-2 D25.....	12
Ref.-no. 54-2 D9.....	12
Ref.-no. 54-2 LWL.....	13
Ref.-no. 54-4LWL.....	13

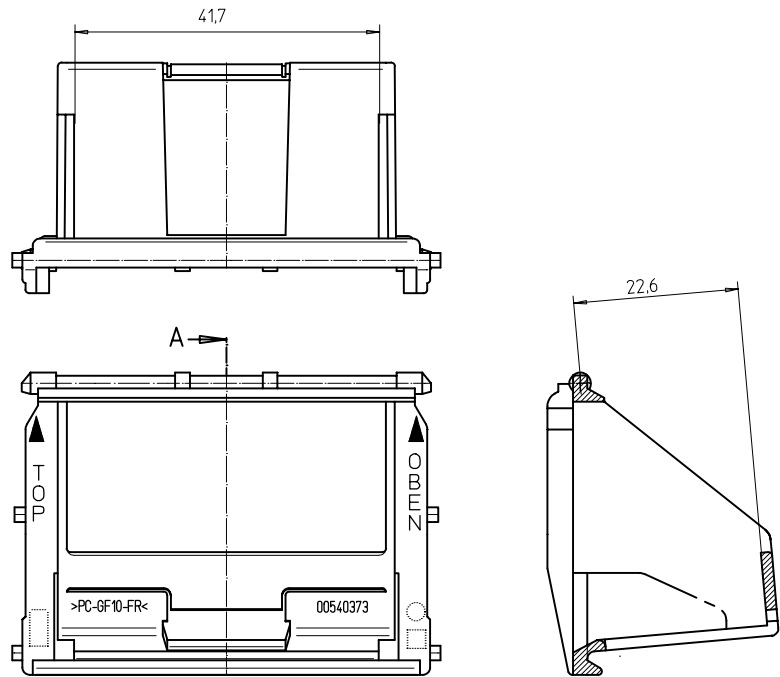
Ref.-No. 54

Obturbateur pour incorporations diverses



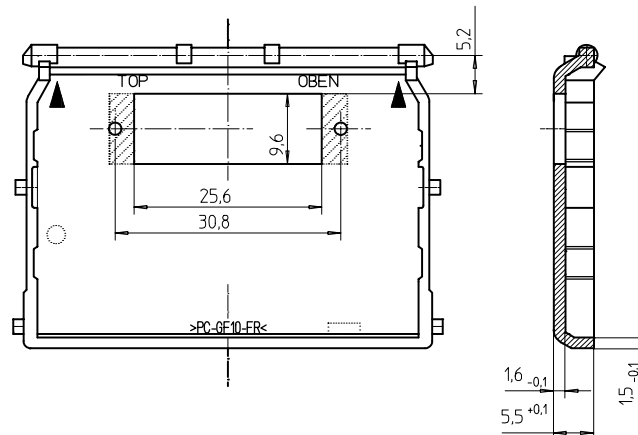
Ref.-no. 54 OCS

for 1 socket for OCS-system (Open Cabling System) make Telegärtner
single module no. J00091A0007, shielded
double module no. J00093A0009, shielded



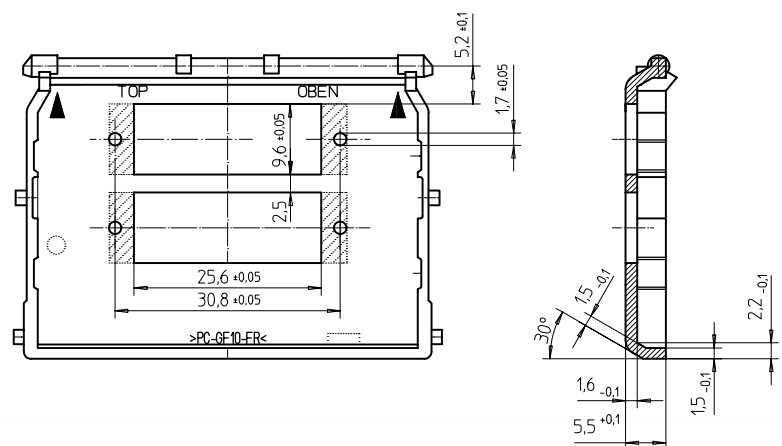
Ref.-no. 54 SC

for 1 Duplex-coupling, LWL, SC system, Amphenol, or
Avaya (Lucent Technologies) (AT+T), or Tyco Electronics AMP



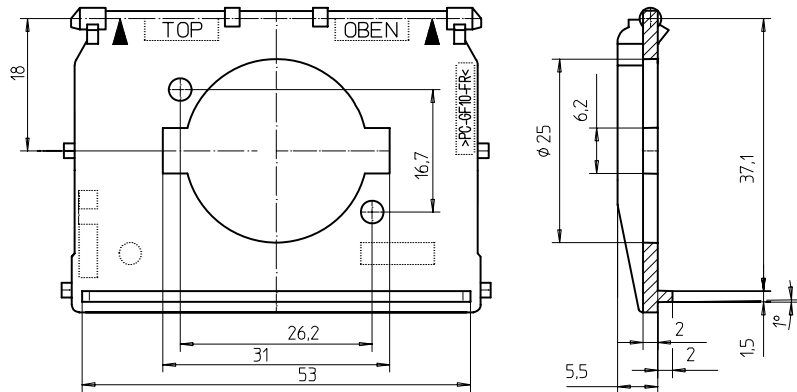
Ref.-no. 54-2 SC

for 2 Duplex couplings (optic fibre)
LWL, SC system, Amphenol
LWL, SC system, Avaya (Lucent Technologies) (AT+T)
LWL, SC system, Tyco Electronics AMP



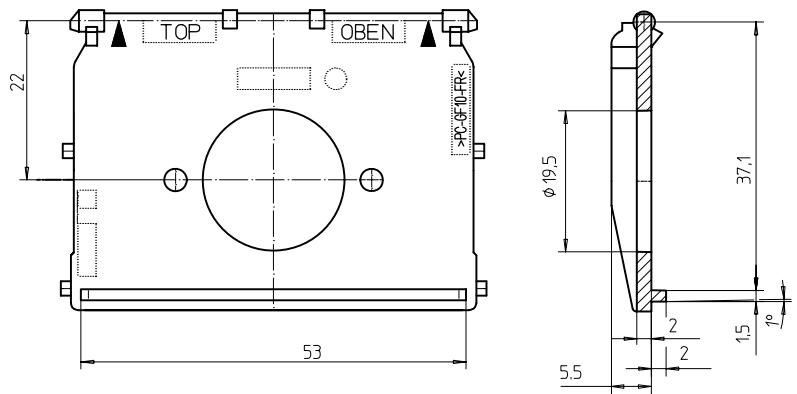
Ref.-no. 54 XLR-D

for 1 XLR-socket (female)



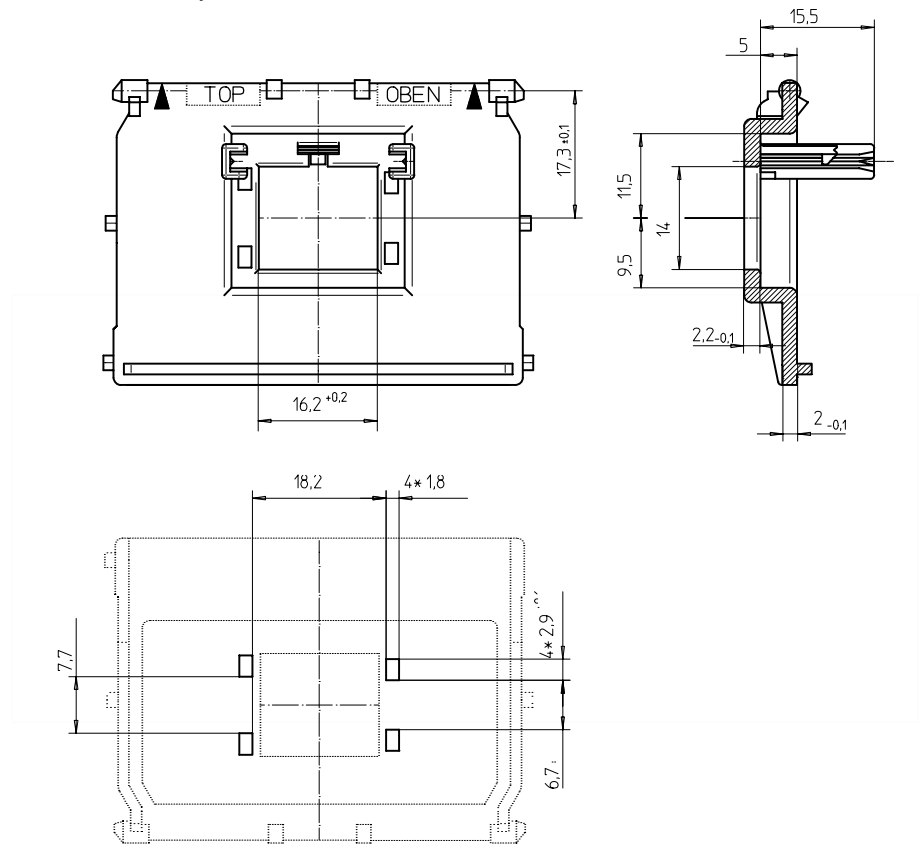
Ref.-no. 54 XLR-S

for 1 XLR-plug (male)



Ref.-no. 54-1 ACS

for 1 socket Reichle + De Massari freenet,
freenet, classic system, shielded, no. R925370, Cat. 5e
freenet, classic system, unshielded, no. R925371, Cat. 5e
freenet, star system, shielded, no. R302372, Cat. 6
freenet, star system, unshielded, no. R302373, Cat. 6
for 1 SC-RJ module
freenet, vision system, no. R30574



Ref.-no. 54-1 WE

for 1 modular jack socket

Qmax-series, modular, RJ 45 system, shielded, 3M, Cat. 6

modular RJ 12 system, unshielded, JUNG no. 6 WE, Cat. 3

modular, RJ 45 system, unshielded, JUNG no. 8 WE, Cat. 3

Highband-series, modular, RJ 45 system, shielded, Krone, Cat. 6

Compact-HK-series, modular, RJ 45 system, shielded, Krone, Cat. 5e

Snap-in Connector LANmark-6 system, modular, RJ 45, shielded,

Nexans no. 420.630, Cat. 6

modular, Keystone RJ 45 system, unshielded, Panduit no. KJ88., Cat. 3

modular, Keystone RJ 45 system, unshielded, Panduit no. KJ588., Cat. 5

modular, RJ 12 system, unshielded, RADIALL no. R280MOD804, Cat. 4

modular RJ 45 system, unshielded, RADIALL no. R280MOD805, Cat. 4

modular RJ 45 system, unshielded, RADIALL no. R280MOD807, Cat. 5

modular RJ 45 system, shielded, RADIALL no. R280MOD809, Cat. 5

modular, Keystone RJ 45 system, shielded, SIEMON no. MX6-KS., Cat.

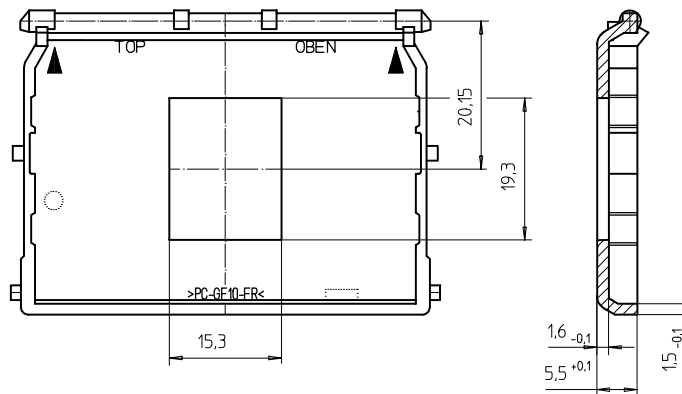
Cat.6

modular, RJ 12 system, unshielded, Tyco Electronics AMP no. 216000-1,

Cat. 3

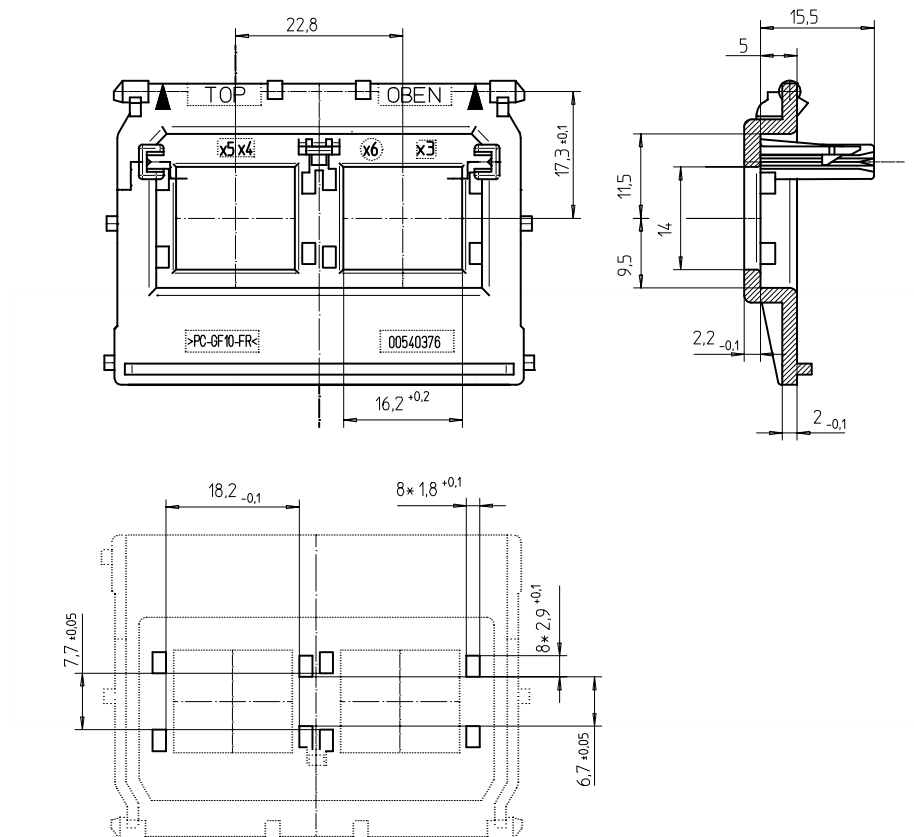
modular, RJ 45 system, unshielded, Tyco Electronics AMP no. 216005-1,

Cat. 3



Ref.-no. 54-2 ACS

for 2 modular jack sockets Reichle & DeMassari
 freenet, classic system, shielded, no. R35252, Cat. 5e
 freenet, classic system, unshielded, no. R35251, Cat. 5e
 freenet, star system, shielded, no. R302377, Cat. 6
 freenet, star system, unshielded, no. R302378, Cat. 6
 for 1 SC-Compact 2-channel module
 LWL, freenet, vision system, no. R30575



Ref.-no. 54-15 WE

for 1 modular jack socket

Tyco Electronics AMP 110 Connect, RJ 45 system, shielded, JUNG no. 8 VGWE, Cat. 5e

110 Connect, RJ 45 system, shielded, Tyco Electronics AMP no. 0-1116515-1, Cat. 5e

110 Connect, RJ 45 system, shielded, Tyco Electronics AMP no. 0-1375117-1

SL 110 Connect, RJ 45 system, shielded, Tyco Electronics AMP no. 0-1375189-1, Cat. 5e

SL 110 Connect, RJ 45 system, unshielded, Tyco Electronics AMP no. 0-1375190-X, Cat. 5e

SL 110 Connect, RJ 45 system, shielded, Tyco Electronics AMP no. 0-1375188-1, Cat. 6

SL 110 Connect, RJ 45 system, unshielded, Tyco Electronics AMP no. 0-1375055-3, Cat. 6

Toolless Jack, RJ 45, system, unshielded, Tyco Electronics AMP no. 0-1116603-X, Cat. 3

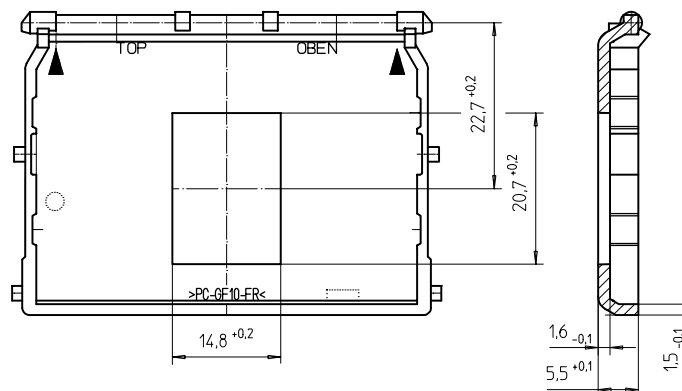
Toolless Jack, RJ 45, system, unshielded, Tyco Electronics AMP no. 0-1116604-X, Cat. 5e

Toolless Jack, RJ 45, system, shielded, Tyco Electronics AMP no. 1339015-1, Cat. 5e

Toolless Jack, RJ 45, system, unshielded, Tyco Electronics AMP no. 0-1116605-X, Cat. 6

Toolless Jack, RJ 45, system, shielded, Tyco Electronics AMP no. 1339016-1, Cat. 6

LWL, MTRJ system, Tyco Electronics AMP no. 1278414-1



Ref.-no. 54-25 WE

for 2 modular jack sockets

Tyco Electronics AMP 110 Connect, RJ 45 system, shielded, JUNG no. 8 VGWE, Cat. 5e

110 Connect, RJ 45 system, shielded, Tyco Electronics AMP no. 0-1116515-1, Cat. 5e

110 Connect, RJ 45 system, shielded, Tyco Electronics AMP no. 0-1375117-1

SL 110 Connect, RJ 45 system, shielded, Tyco Electronics AMP no. 0-1375189-1, Cat. 5e

SL 110 Connect, RJ 45 system, unshielded, Tyco Electronics AMP no. 0-1375190-X, Cat. 5e

SL 110 Connect, RJ 45 system, shielded, Tyco Electronics AMP no. 0-1375188-1, Cat. 6

SL 110 Connect, RJ 45 system, unshielded, Tyco Electronics AMP no. 0-1375055-3, Cat. 6

Toolless Jack, RJ 45 system, unshielded, Tyco Electronics AMP no. 0-1116603-X, Cat. 3

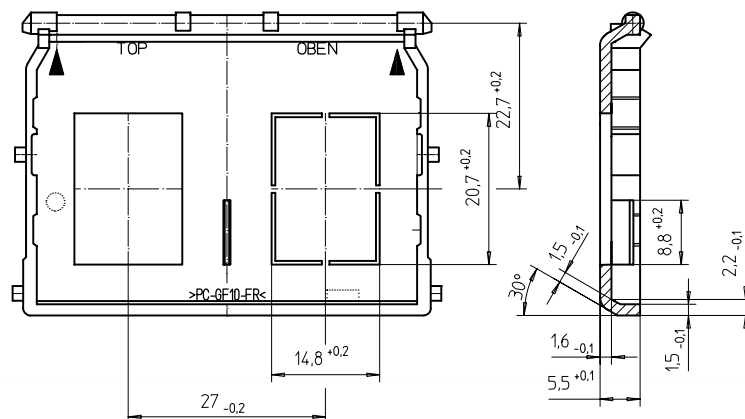
Toolless Jack, RJ 45 system, unshielded, Tyco Electronics AMP no. 0-1116604-X, Cat. 5e

Toolless Jack, RJ 45 system, shielded, Tyco Electronics AMP no. 1339015-1, Cat. 5e

Toolless Jack, RJ 45 system, unshielded, Tyco Electronics AMP no. 0-1116605-X, Cat. 6

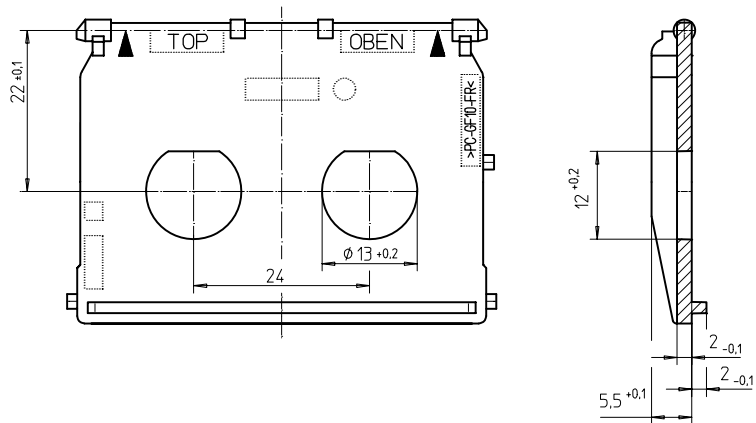
Toolless Jack, RJ 45 system, shielded, Tyco Electronics AMP no. 1339016-1, Cat. 6

LWL, MTRJ system, Tyco Electronics AMP no. 1278414-1



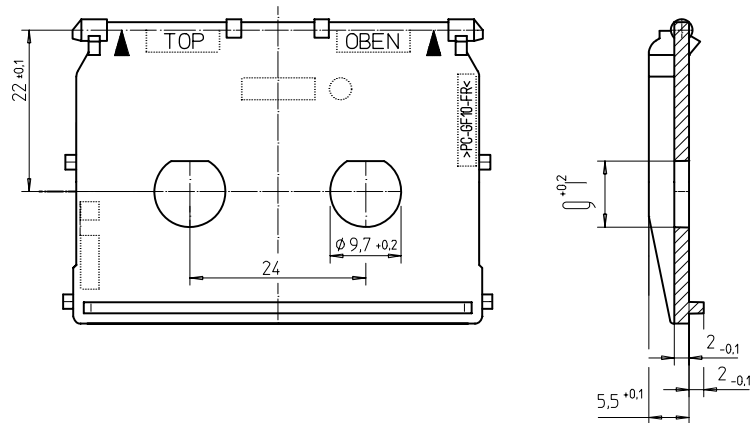
Ref.-no. 54-2 BNC 12.7

for 2 BNC-sockets with $\varnothing 12.7$



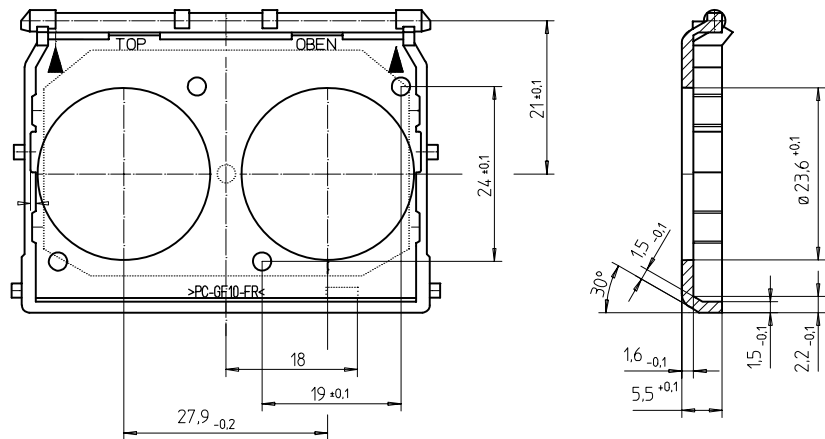
Ref.-no. 54-2 BNC 9.7

for 2 BNC-sockets with $\varnothing 9.7$



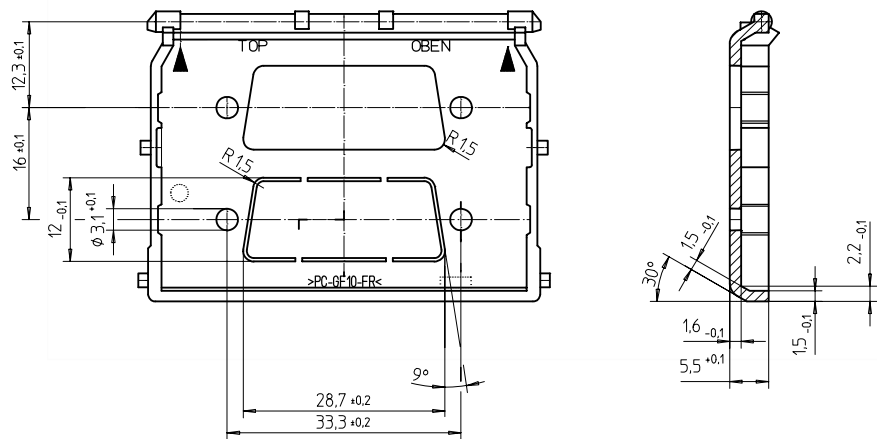
Ref.-no. 54-2 CXLR

for 2 sockets CXLR-S/CXLR-D; PB 4/PS 4



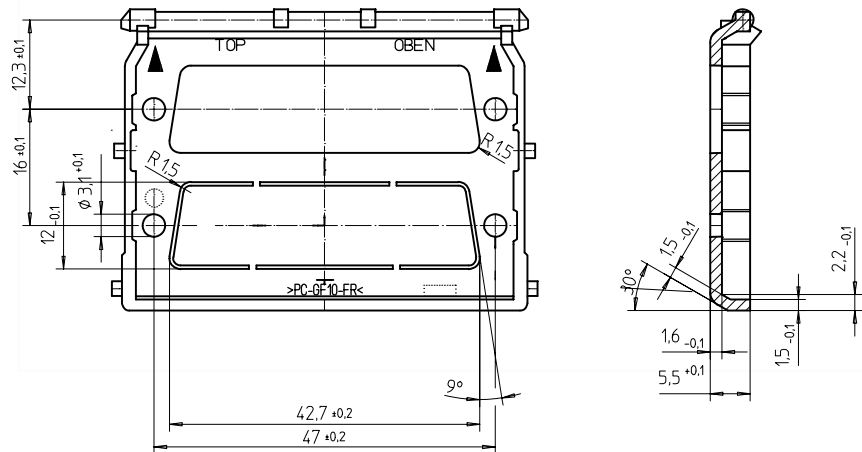
Ref.-no. 54-2 D15

for 2 subminiature D-sockets, 15-pole, D SUB 15



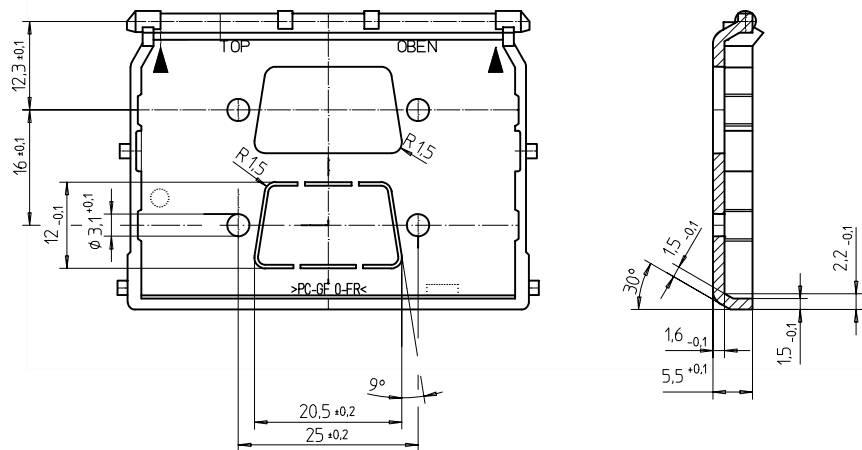
Ref.-no. 54-2 D25

for 2 subminiature D-sockets, 25-pole, D SUB 25



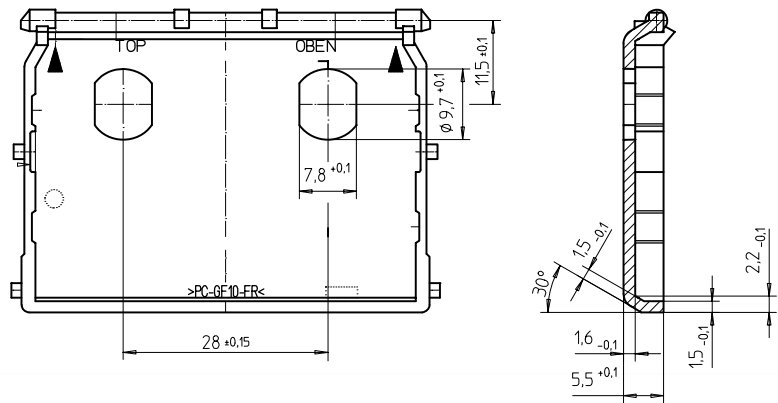
Ref.-no. 54-2 D9

for 2 subminiature D-sockets, 9-pole, D SUB 9



Ref.-no. 54-2 LWL

for 2 couplings, LWL (optic fibre), ST, 2,5 mm bayonet nut connector (BNC)



Ref.-no. 54-4LWL

for 4 couplings, LWL (optic fibre), ST, 2,5 mm bayonet nut connector (BNC)

