

Compensation module LED

Art. no.: KMLED230U

Operating instructions**1 Safety instructions**

Electrical devices may only be mounted and connected by electrically skilled persons.

Serious injuries, fire or property damage possible. Please read and follow manual fully.

Danger of electric shock. The device has basic insulation. Operation is only admissible in a suitable housing.

These instructions are an integral part of the product, and must remain with the end customer.

2 Function**Intended use**

- Use in combination with our Tronic dimmers or universal dimmers in trailing edge phase control mode which are operated with dimmable lamps.
- Use indoors
- Installation in luminaire, appliance box according to DIN 49073 or sub-distribution.

The module is used to:

- improve the dimming behaviour of dimmers which are not optimised for HV-LED lamps.
- to avoid that HV-LED lamps which are connected to a dimmer glow when switched off.

- i** The module does not have any influence on the dimming characteristic and cannot be used to adjust the dimming range or basic brightness.
- i** Dimming results and dimming quality could vary depending on cable lengths, grid conditions and other influencing factors. We cannot assume any guarantee for function, dimming results and dimming quality.

3 Information for electrically skilled persons**3.1 Fitting and electrical connection****DANGER!**

Electrical shock on contact with live parts in the installation environment.

Electrical shocks can be fatal.

Before working on the device, disconnect the power supply and cover up live parts in the working environment.

Connecting the module

- i** One module is usually sufficient for three HV-LED lamps. If more HV-LED lamps are connected to a dimmer, several modules can be connected in parallel.
- i** For a dimmer which functions according to the trailing edge phase control principle, the maximum connected load of HV-LED lamps is 200 W.
- i** The minimum connected load of the dimmer used depends on the HV-LED lamp used. Ideally, it can be reduced to approx. 3 W.

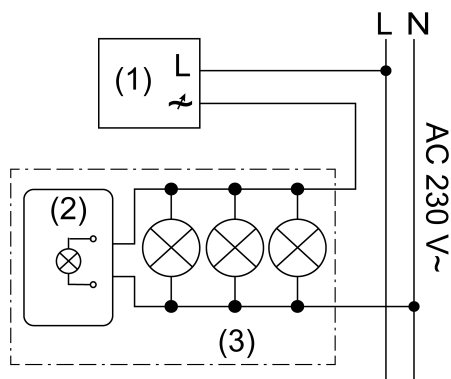


Figure 1: Example for connection in luminaire housing

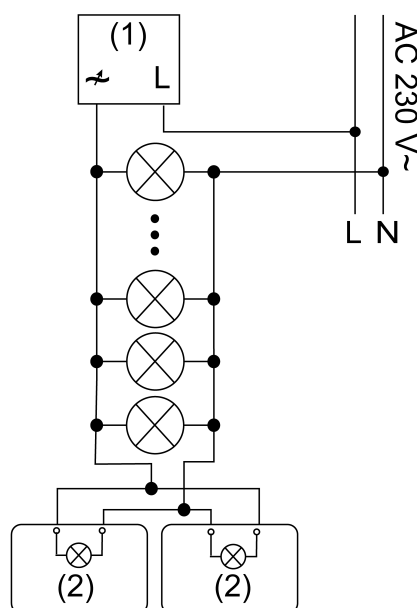


Figure 2: Connection example with two modules

- (1) Dimmer in trailing edge phase control operation
- (2) Module
- (3) Luminaire with HV-LED lamp

- Connect the module to neutral conductor and to the dimmed phase, parallel to the HV-LED lamp, (Figure 1) example for connection in luminaire housing, (Figure 2) connection example with two modules.

4 Technical data

Rated voltage	AC 230 V~
Mains frequency	50 / 60 Hz
Power loss	max. 2 W
Housing temperature (tc)	max. 65 °C
Storage/transport temperature	-25 ... +75 °C
Dimensions L×W×H	28.5×43.0×11.5 mm
Cable length	approx. 15 cm

5 Troubleshooting

The HV-LED lamps flicker after some time

Cause: module becomes too hot.

Connect another module in parallel.

The HV-LED lamps flicker immediately after switch-on

Cause 1: The current flow through module and HV-LED lamps is not sufficient to ensure the operation of the dimmer.

Connect another module in parallel.

Cause 2: Lamps are not suitable for combination with dimmer and module.

Exchange the HV-LED lamps.

Cause 3: Universal dimmer operates in leading edge phase control mode.

Module is not suitable for leading edge phase control. Ensure that the connected lamps are dimmable in trailing edge phase control and ensure that the dimmer operates in trailing edge phase control mode.

6 Warranty

The warranty follows about the specialty store in between the legal framework as provided for by law

ALBRECHT JUNG GMBH & CO. KG

Volmestraße 1

58579 Schalksmühle

GERMANY

Telefon: +49 2355 806-0

Telefax: +49 2355 806-204

kundencenter@jung.de

www.jung.de