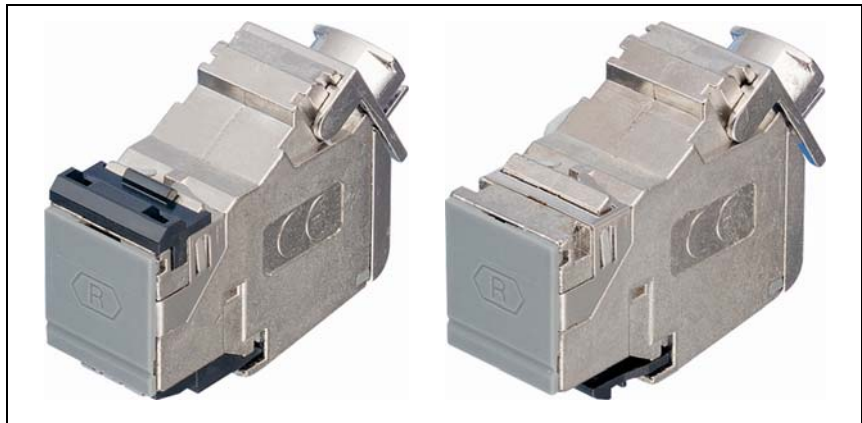


Operating Instructions

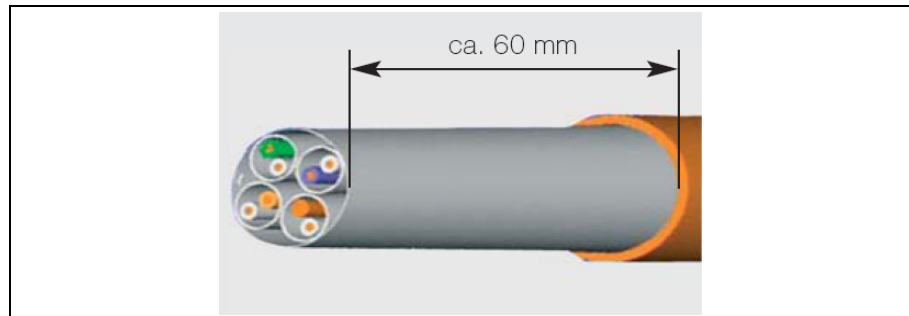
Universal modular jack socket cat. 6a, type A

Universal modular jack socket cat. 6a, type B

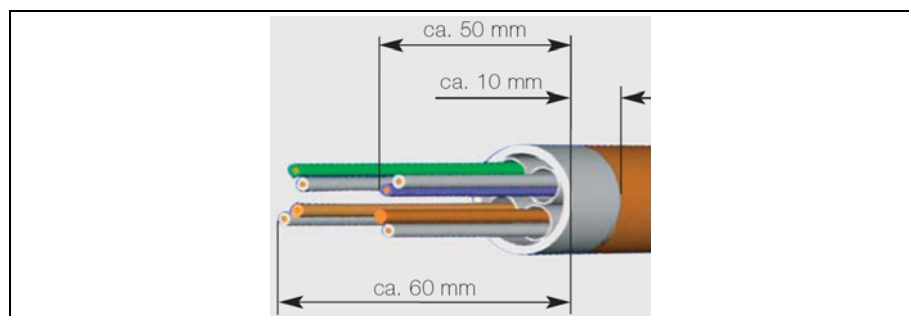


1. Mounting of the Module

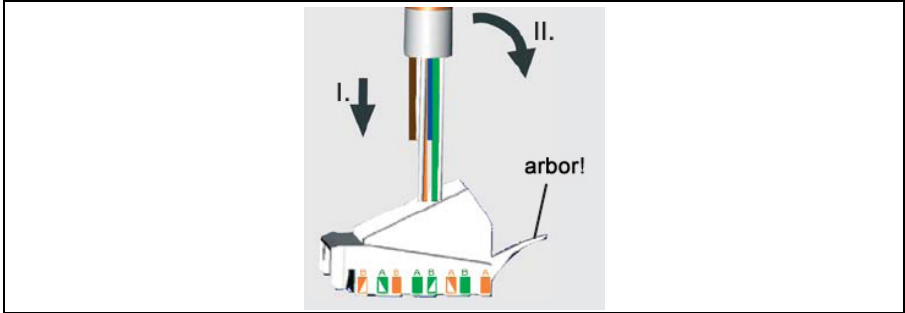
- 1.1. Strip cable approx. 60 mm



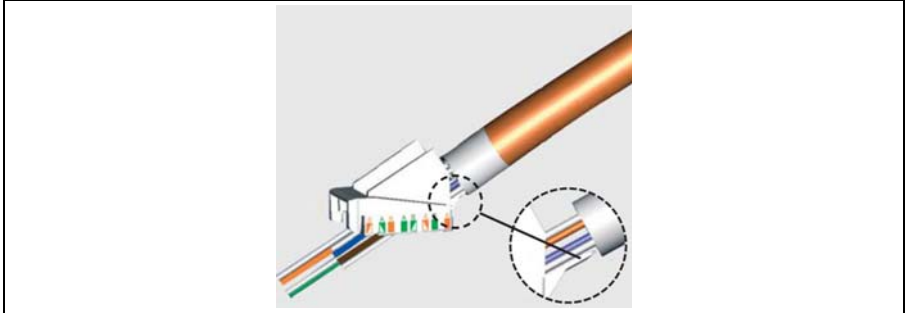
- 1.2. Shorten the braid to approx. 10 mm and pull it back over the cable jacket. Shorten two wire pairs (i. e. brown and blue) approx. 10 mm more than the other two wire pairs for easier insertion



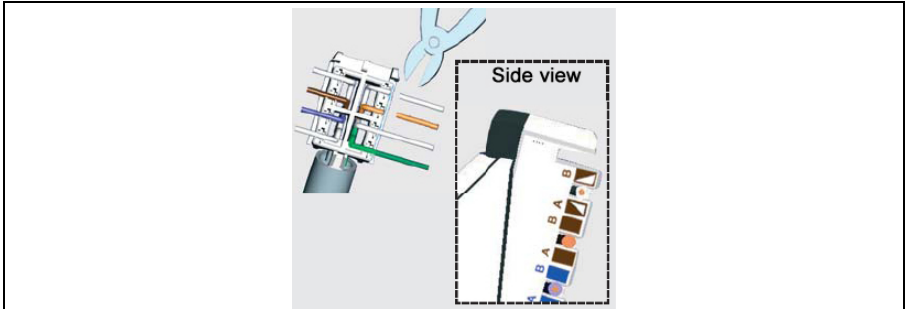
- 1.3. First, lead the longer wires (i. e. green and orange) perpendicular through the wire distributor (I.)
Swivel the cable towards the spine (II.) and



- 1.4. Insert the cable, so that the spine (circle) lays under the cable jacket!

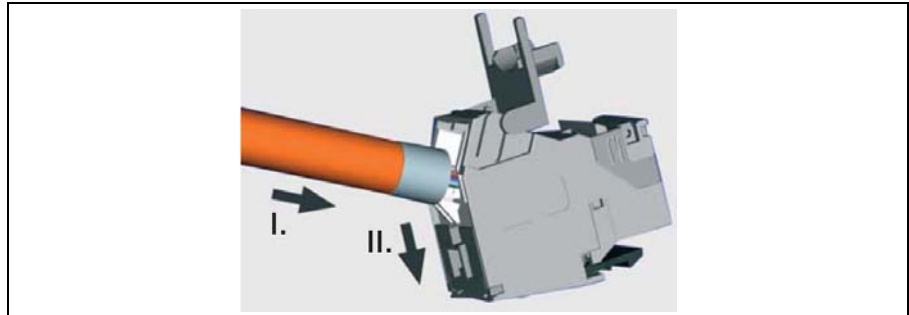


- 1.5. Lay the wires in the colored marked wire compartment and fix the wires (see picture for color code)
Cut wires off flush

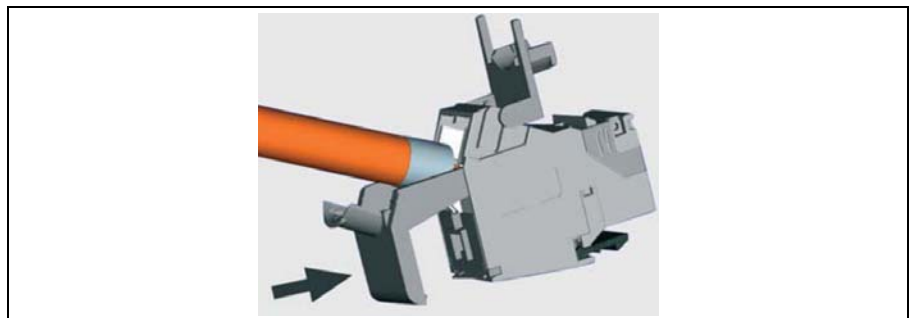


Anschlussklemme/ Terminal block	1	2	3	4	5	6	7	8
TIA/EIA-568-A								
TIA/EIA-568-B								

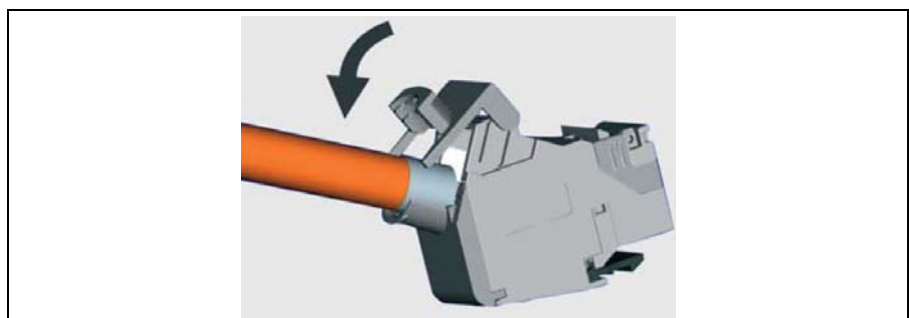
- 1.6. Insert the wire distributor to the Stopp (I.) and push it down slightly (II.)



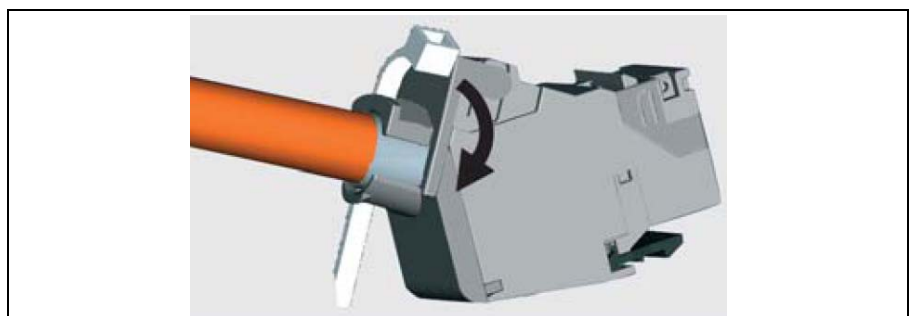
- 1.7. After positioning the wire distributor, insert the mounting wedge from the back and push it in



- 1.8. Swivel the strain relief bar to the cable jacket/-screening and press down

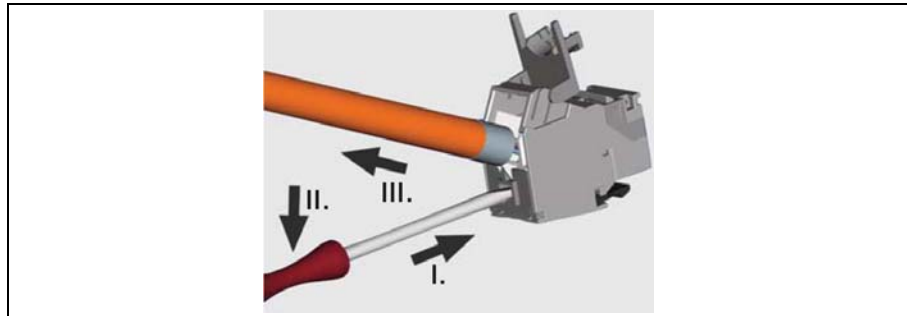


- 1.9. Fix tightly with a cable tie (fastener to the bottom)



1.10. For disassembly

- Loosen cable tie
- Swivel the strain relief bar to the top
- Pull out mounting wedge
- Use a screw driver to lift up the wire distributor and take it out



Important Note!

The connecting hardware of the Category 6a is a highly sophisticated electrical and mechanical connection system for transmission band widths up to 500 MHz. They fulfil the current standards for the design according to IEC 60603-7 (RJ 45) as well as the transmission technique according to EN 50173-1:2003-06 and the corresponding international directives to its entirety.

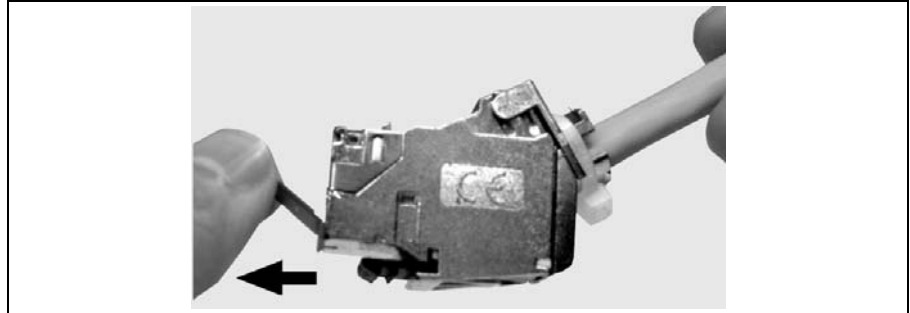
Use this first-quality high-frequency connecting system with required care and note the following hints:

- For other connector models than RJ 45, use an appropriate adapter (i. e. ADAP Kombi 154 006 05).
- Only use patch cables and connectors that correspond to the valid EN/IEC standards. Ask your manufacturer for a confirmation, if necessary.
- Avoid unnecessary, mechanical stress of the outlets caused by pull or pressure stress of the connector when inserting/removing patch cables or tilting.
- Lead the patch cables in the cabinet so that improper pressure to the plugs/ports is avoided when the door is closed.

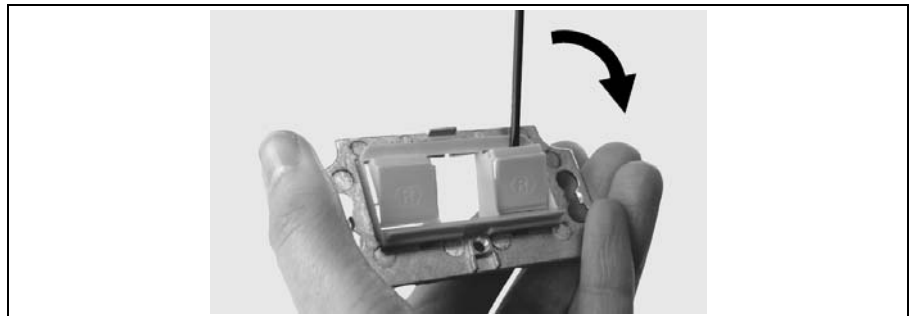
When using non-standard connecting hardware (i. e. patch cables or connectors) or at inappropriate use of the module we will not accept any warranty claims. Please, inform the end-user about this issue.

2. Use of Mounting Adapter

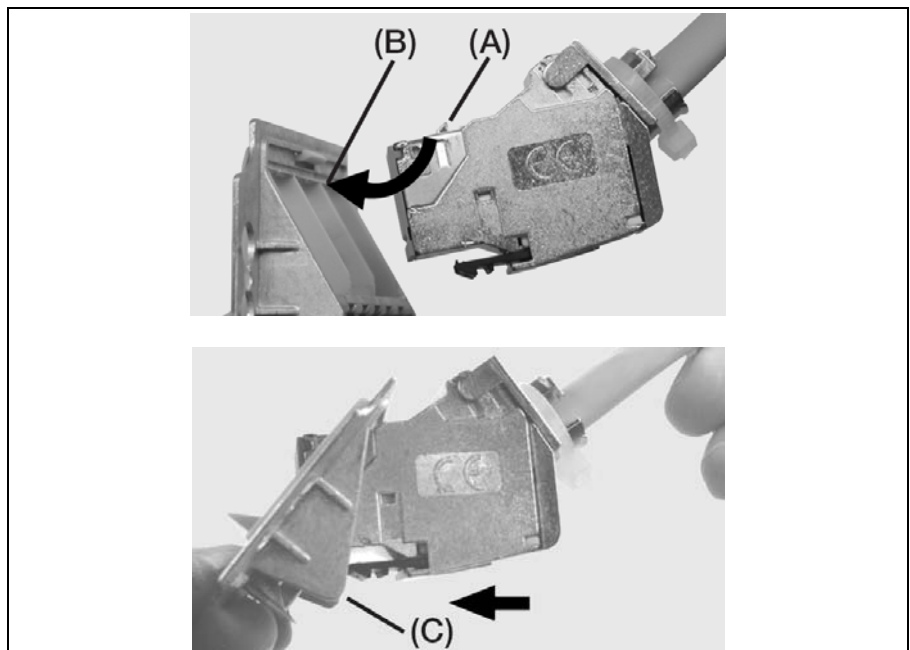
2.1. Remove dust cover (if required)



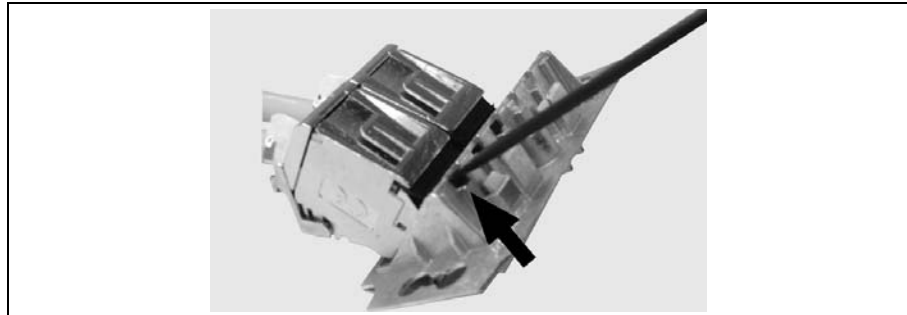
2.2. Break dummy cover out of adapter



2.3. Hook the connected module with snap-fit (A) on top behind the cut-out edge (B) and latch it by pushing the module down (C)



- 2.4. Loosen the module with a screw driver through the rectangular adapter opening (arrow) under the module



3. Guarantee

Our products are under guarantee within the scope of the statutory provisions.

Please return the unit postage paid to our central service department giving a brief description of the fault:

ALBRECHT JUNG GMBH & CO. KG

Service-Center

Kupferstr. 17-19

D-44532 Lünen

Service-Line: +(49) 23 55 . 80 65 51

Telefax: +(49) 23 55 . 80 61 65

E-Mail: mail.vka@jung.de

General equipment

Service-Line: +(49) 23 55 . 80 65 55

Telefax: +(49) 23 55 . 80 62 55


E-Mail: mail.vkm@jung.de

KNX equipment

Service-Line: +(49) 23 55 . 80 65 56

Telefax: +(49) 23 55 . 80 62 55

E-Mail: mail.vkm@jung.de

 The CE-Sign is a free trade sign addressed exclusively to the authorities and does not include any warranty of any properties.