

## Smart Visu Server

Ref.-no.: SV-SERVER,  
SV-SERVER-INT

GB

## Operating instructions

### 1 Safety instructions



Electrical devices may only be mounted and connected by electrically skilled persons.

Serious injuries, fire or property damage possible. Please read and follow manual fully.

These instructions are an integral part of the product and must remain with the end customer.

This product is only intended for use in dry rooms.

### 2 Device components

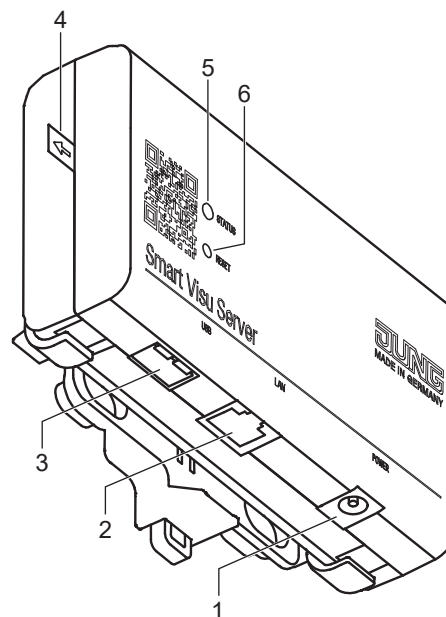


Fig. 1: Device components

- (1) Power supply
- (2) Ethernet interface
- (3) USB interface
- (4) Discharge protection
- (5) Status LED
- (6) Reset button

Only use the power supply unit from the scope of delivery.  
For connection to the local IP network  
For software updates  
Remove for operation  
Displays the current status of the server  
Reset and update

### 3 Function

#### System information

The Smart Visu Server is used to visualise and operate (SV-Home) a KNX system connected to the same network via a smartphone, tablet, laptop or PC and to control third-party IoT systems (e.g. Philips Hue).

A local network is required for it to function.

The connection to the KNX is made via the KNX IP interface.

The connection to the third-party IoT systems is made via the system devices recommended by the manufacturer (e.g. Philips Hue Bridge).

Start-up takes place via the web-based interface (SV-Control).

The technical documentation is also available here.

The server organises functions of the connected systems into areas, functions and actions.

Area: An area indicates an assignment, e.g. to a room.

Function: A function corresponds to, for example, a KNX function, thus possibly comprising multiple group addresses, e.g. switching channel with feedback. A function could also be the link to a Philips Hue lamp.

Action: An action is a grouping of one or more functions. Actions can be triggered by events, by time or via user-defined controls.

KNX projects can be imported from the OPC export (3-level group address) of ETS3, ET4 or ETS5 or be created manually.

#### Intended use

- Visualisation and operation of KNX systems via devices with HTML5 browser or app (iOS, Android), e.g. smartphone, tablet, laptop, PC, etc.
- Operation in local IP networks that support DHCP (Dynamic Host Configuration Protocol), or with static IP address (IPv4)
- Operation indoors

 Further information about this device can be found in the operation manual on our website.

#### Scope of delivery

- Smart Visu Server including software
- Retaining bracket for wall or support rail mounting
- Operating instructions
- Power supply unit with plug
  - SV-SERVER: EU power supply unit (Euro plug)
  - SV-SERVER-INT: Power supply unit, including adapter for BS (United Kingdom), EU (Euro plug) and CN (China)

### 4 Information for electrically skilled persons

#### Installation and electrical connection



#### **DANGER**

**Electrical shock on contact with live parts in the installation environment.**

**Electrical shocks can be fatal.**

**Before working on the device, disconnect the power and cover live parts in the area!**

#### Installation

Mounting takes place using the supplied retaining unit on the wall or on a support rail according to DIN EN 60715.

The server is snapped onto the retaining unit.

## 5 Operation

### Status LED

The Status LED (5) displays the various operating statuses.

Flashing yellow:	Server booting
Flashing red:	Error pending, server stopping
Continuous yellow:	Server and network booting
Continuous blue:	Server ready, DHCP active
Continuous green:	Server ready, static network address
Continuous red:	Update completed, restart is initiated
Flashing blue/magenta:	Update operation, DHCP active
Flashing green/magenta:	Update operation, static network address

### Reset and update

The reset button (6) triggers a reset or an update.

Reset network settings, DHCP operation active:

- Press the button  $\geq 5$  seconds.  
LED flashes yellow.
- Press the button again briefly.

Factory reset:

- Press the button for 20 seconds.  
LED flashes red.
- Press the button again briefly.

Initialise update operation:

- Press the button briefly 5 x.  
LED turns magenta: no update available  
LED flashes magenta: update operation

## 6 Commissioning

A current HTML5-compatible browser (input device) is required for access to SV-Home and SV-Control.

Smart Visu Server, interface, network router (DHCP active) and input device must all be part of the same network.

During start-up, the Smart Visu Server expects the assignment of an IP address via DHCP.

- Remove the discharge protection (4) from the server.
- Connect the server to the network (2) and the power supply unit to the server (1).  
After the mains plug has been connected, the server will boot.

As soon as the Status LED (5) turns blue, the server is ready for operation.

- In the address line of the Internet browser, enter:  
`http://sv-server.local`

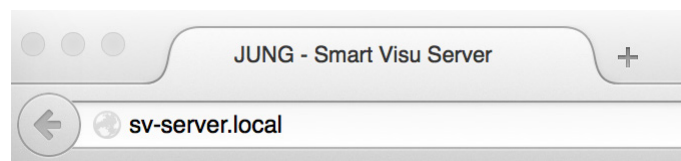


Fig. 2: Address of the server

This opens the homepage of the server.

If the homepage is not opened, then determine the IP address of the server in the router manually.

- Enter the determined address, e.g. 192.168.178.26, in the address line of your Internet browser.

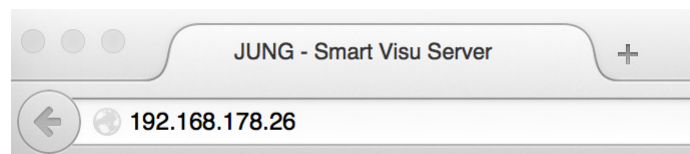


Fig. 3: IP address of the server

This opens the homepage of the server.

Further start-up takes place via SV-Control. The progress of start-up can be seen live in SV-Home.

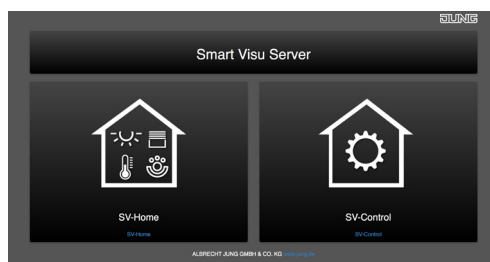


Fig. 4: SV-Control

For more details about further start-up steps and data import, please refer to the technical documentation, which can be found on the server (SV-Control) or on the Internet at [www.jung.de](http://www.jung.de).

## 7 Disposal of batteries



**This device includes an integrated battery. At the end of its useful life, dispose of the device together with the battery in accordance with the environmental regulations. Do not throw device into household waste. Consult your local authorities about environmentally friendly disposal. According to statutory provisions, the end consumer is obligated to return the device.**

## 8 Accessories

IP interface	IPS 300 SREG
IP router	IPR 300 SREG

## 9 Technical data

Rated voltage:	DC 12 V SELV
Power consumption:	typical 3 W, max. 7 W
Ambient temperature:	-5 ... +45 °C
Storage/transport temperature:	-25 ... +70 °C
LAN:	RJ45-socket (10/100 Mbit/s Fast Ethernet)
USB:	USB 2.0 Host
Dimensions:	124 x 72 x 31 mm (without mounting plate) 124 x 92 x 40 mm (with mounting plate)

### Plug-in power supply

Primary voltage:	AC 100 ... 240 V ~
Mains frequency:	50 / 60 Hz
Rated current:	max. 1 A
Secondary voltage:	DC 12 V SELV
Protection class:	II
Length of connected cable:	1.5 m

## 10 Legal information

Philips and Hue are registered trademarks of Koninklijke Philips Electronics NV.

This product contains Open Source software components, which are subject to the conditions of Copyright and/or the license agreements of third parties. The license information is located on the Smart Visu server.

## 11 Warranty

The warranty follows about the specialty store in between the legal framework as provided for by law.