

Emergency system set

Ref.-no.: NRS .. 0834 ..

GB

Emergency system set with UPS

Ref.-no.: NRS .. 0834-2 ..

Operating instructions

1 Safety instructions



Electrical devices may only be mounted and connected by electrically skilled persons.

Serious injuries, fire or property damage possible. Please read and follow manual fully.

Danger of electric shock. Always disconnect before carrying out work on the device or load.

When installing the emergency system the general safety regulations for telecommunication systems must be observed according to DIN VDE 0800.

These instructions are an integral part of the product, and must remain with the end customer.

2 Battery safety instructions

WARNING! Improper handling of batteries can result in explosion, fire or chemical burn due to leakage.

Do not heat or throw batteries into fire.

Do not reverse polarity, short-circuit or recharge batteries.

Do not deform or disassemble batteries.

Replace batteries only with an identical or equivalent type.

Remove empty batteries immediately and dispose of in an environmentally friendly manner.

3 System overview

The emergency system set consists of the single devices pull cord button, emergency signal, reset button, power supply and UPS module. The emergency system set can be extended with the service unit and with call buttons.

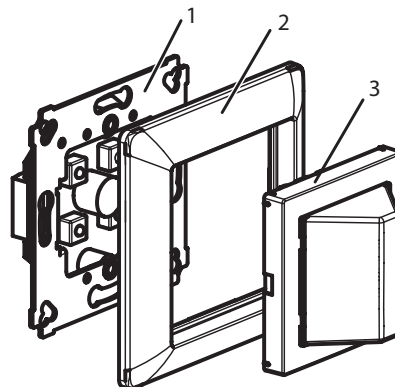


Fig. 1: Emergency signal

1. Insert emergency signal
2. Frame
3. Cover emergency signal

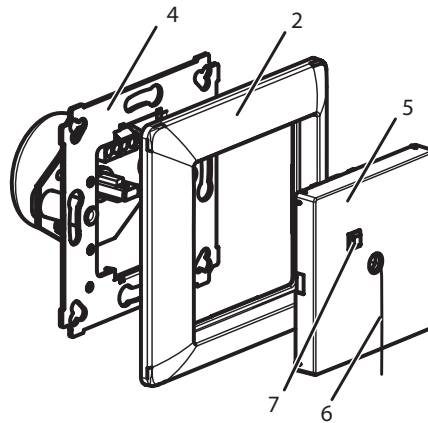


Fig. 2: Pull cord push-button

- 4. Insert pull cord push-button
- 5. Cover pull cord push-button
- 6. Pull cord
- 7. Status light

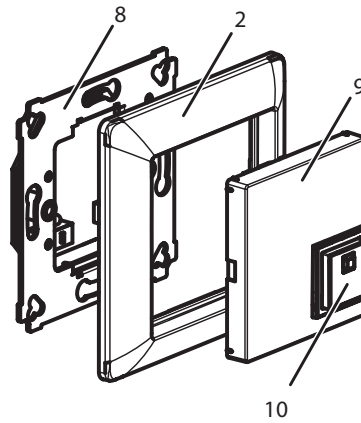


Fig. 3: Reset button

- 8. Insert reset button
- 9. Cover reset button
- 10. Reset button

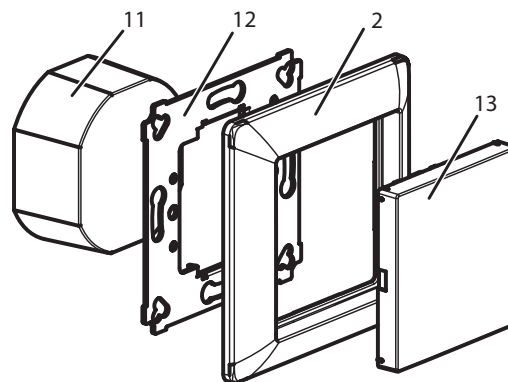


Fig. 4: Power supply

- 11. Power supply
- 12. Supporting frame
- 13. Cover

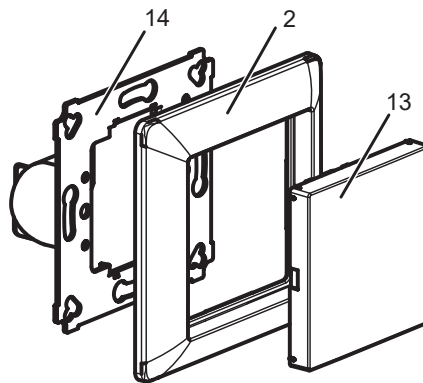


Fig. 5: UPS module (only included in the emergency system set with UPS)

14. UPS module

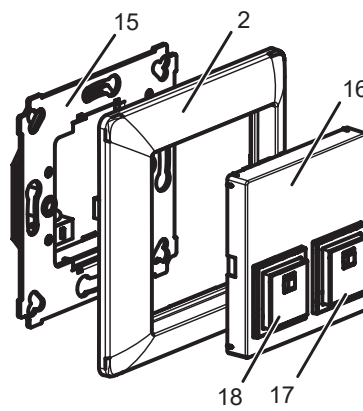


Fig. 6: Service unit (not included in the set)

- 15. Insert service unit
- 16. Cover service unit
- 17. Reset visual call
- 18. Reset acoustical call

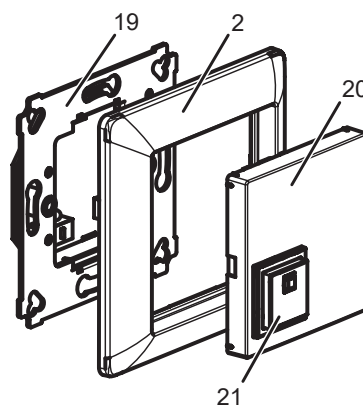


Fig. 7: Call button (not included in the set)

- 19. Insert call button
- 20. Cover call button
- 21. Status light

4 Function

Intended use

- In accordance with DIN VDE 0834, the emergency system set is meant to be used in bathrooms for people with disabilities.
- Installation into flush box according to DIN 49073
- UPS module: Installation into deep flush box (recommendation min. 48 mm)

Product characteristics

- Pull cord push-button with status light
- Reset of calls with the reset button
- Service unit with visual and acoustical indication
- Only included in the emergency system set with UPS: UPS module for bridging power failures
- Call triggered via floating contact

5 Operation

Send emergency call

- Activate call with pull cord push-button.
- Deactivate call with reset button.

6 Information for electrically skilled persons

Installation and electrical connection

Mounting height according to DIN VDE 0834 (call systems in hospitals, nursing homes and similar facilities).

Pull cord push-button:

Min. installation height: 20 cm higher than the shower head

The pull cord has to reach 10 cm above the floor and be accessible for a person lying on the floor.

Operating devices:

0.7 – 1.5 m above the floor

Operating devices with text:

1.5 – 1.7 m above the floor

Devices with installation units:

1.6 – 1.8 m above the floor

Signal lights and text displays:

1.5 – 2.2 m above the floor

 Installation and connection of calling systems is only permitted for trained electricians.



DANGER

Electric shock from touching live parts in the installation environment.

An electric shock can be fatal.

Before working on the device, disconnect the power and cover live parts in the area.

Jumper at the emergency signal (22)

Jumper 1 (JP1)

closed: Activated buzzer of the emergency signal

open: Deactivated buzzer (factory settings)

Jumper 2 (JP2)

closed: Signal light and buzzer (also service unit) with permanent sound (factory settings)

open: Signal light and buzzer intermittent (also service unit)

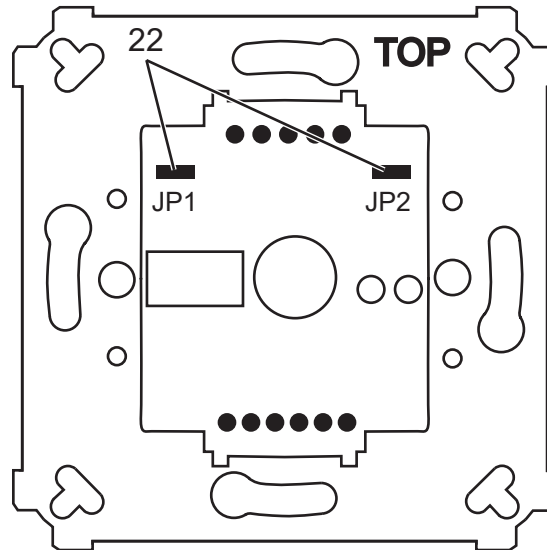


Fig. 8: Emergency signal (front side)

Connecting and wiring emergency system

Installation: see fig. 1, 2, 3, 4, 5, 6, 7

Connection: see fig. 9, 10

Wiring: see fig. 11

Connecting UPS module:

- Only connect accumulator with UPS module after connecting main power supply to avoid discharging of accumulator.

i The accumulator will be completely charged after several hours of operation.

Replacing accumulator at UPS module:

According to DIN VDE 0834 wearing components, i.e. batteries and accumulators, must be replaced once a year.

- Disconnect the accumulator from the UPS before replacing the accumulator or decommissioning the emergency system. This avoids discharging of the accumulator and short circuits during the dismantling of the accumulator.

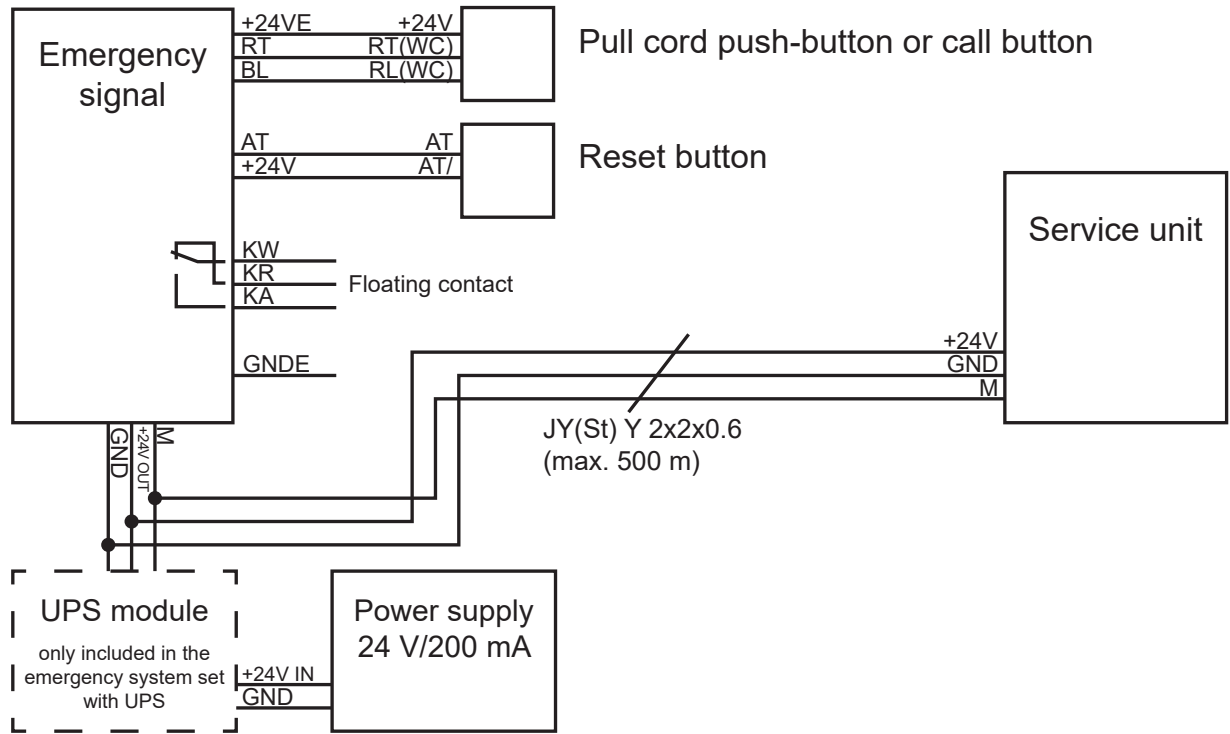


Fig. 9: Wiring plan

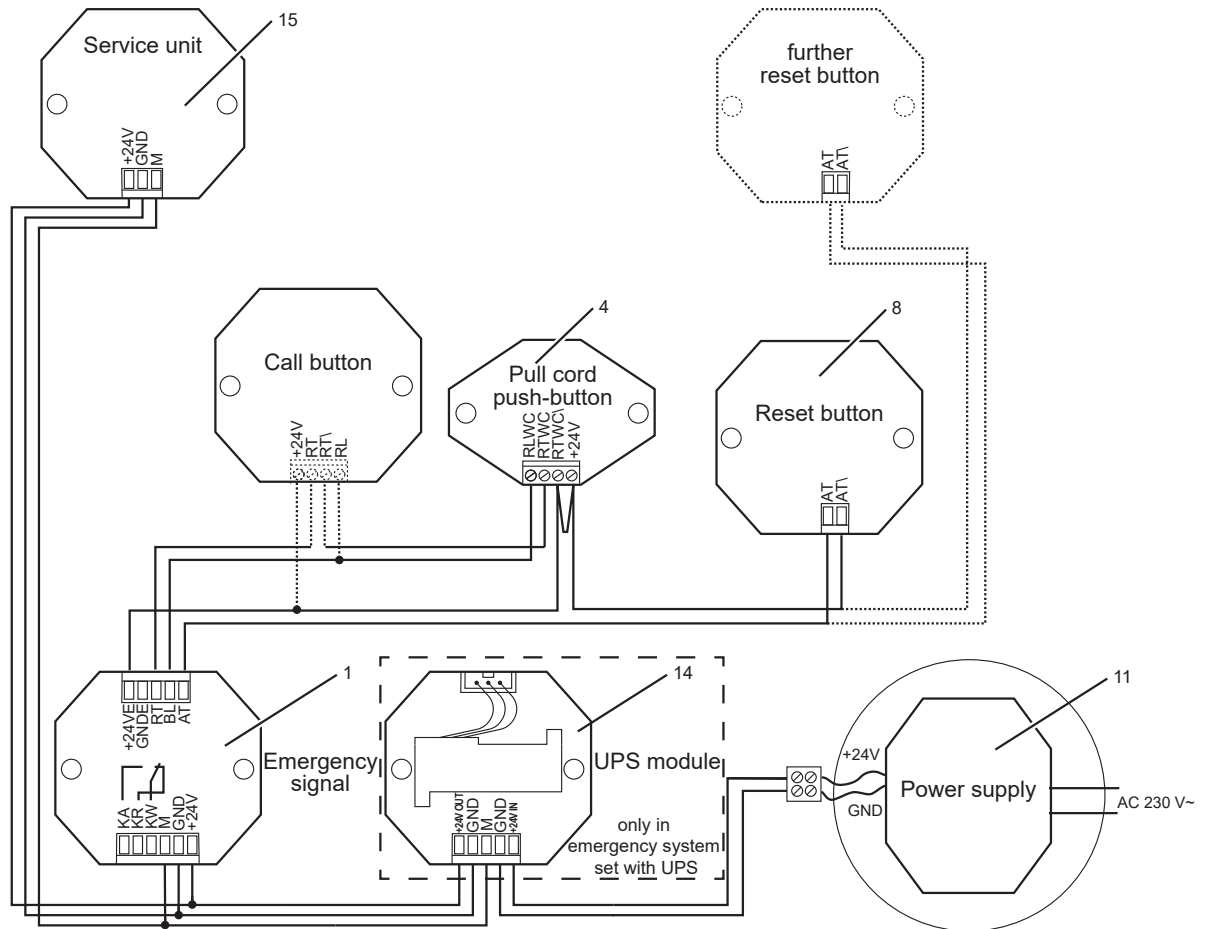


Fig. 10: Wiring call button

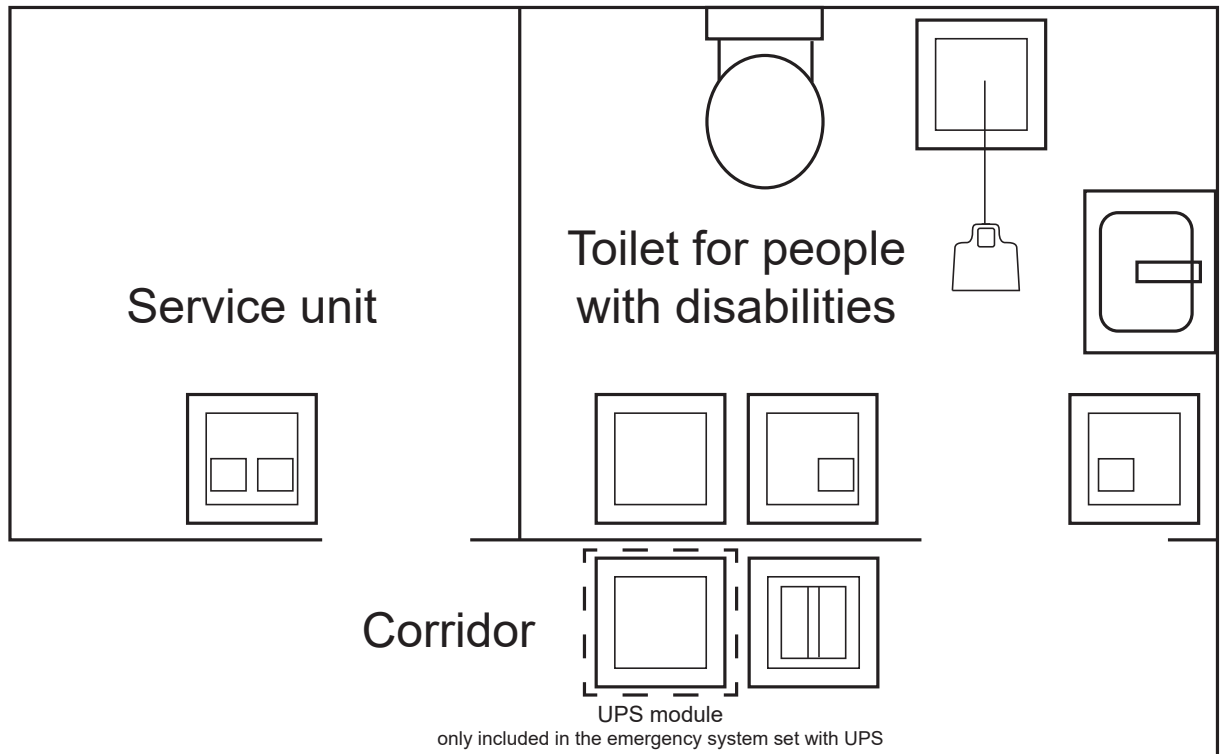


Fig. 11: Installation situation

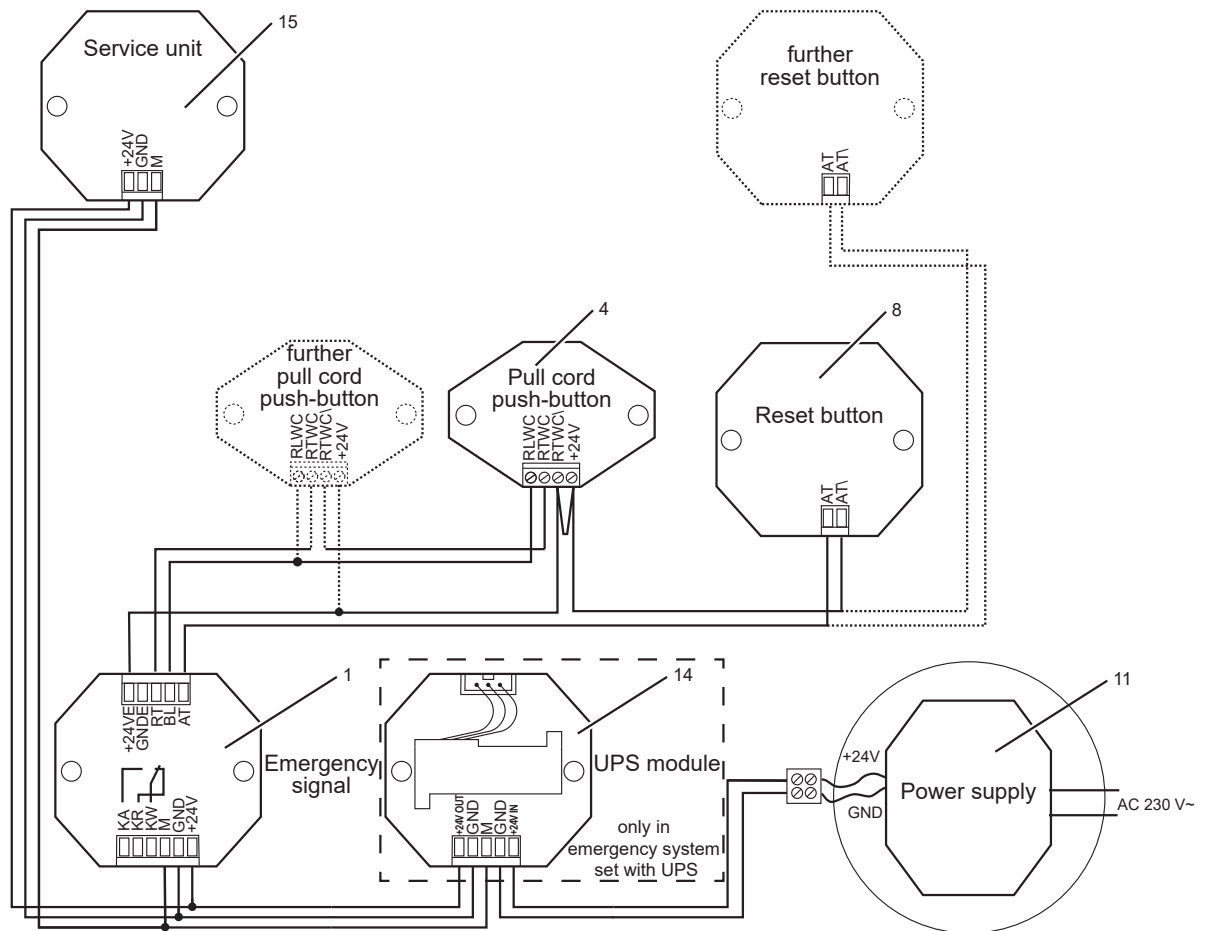


Fig. 12: Wiring pull cord push-button

7 Connection terminals

Emergency signal

Ref-No.: NRS .. 0834 RM ..

Visual and acoustical call identification, floating contact.

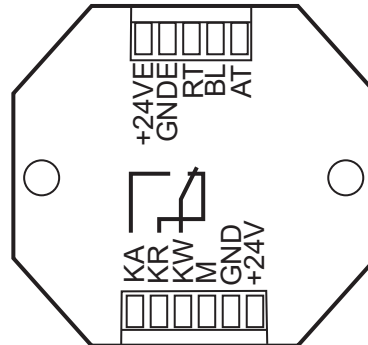


Fig. 13: Emergency signal (rear side)

+24VE	+24V external
GNDE	GND external
RT	Call button
BL	Status light
AT	Reset button

KA	Make contact
KR	Break contact
KW	Contact input
M	Service unit terminal
GND	Power supply –
+24V	Power supply +

The external connections are intended for downstream components (pull cord push-buttons, reset buttons, ...).

Pull cord push-button

Ref-No.: NRS .. 0834 ZT..

Pull cord push-button with status light

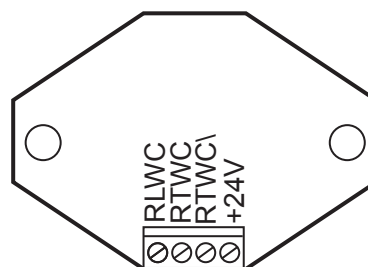


Fig. 14: Pull cord push-button

RLWC	Light
RTWC	Pull cord push-button (IN)
RTWC\	Pull cord push-button (OUT)
+24V	Power supply +

Reset button

Ref.-No.: NRS .. 0834 AT..

Reset button to reset the call.

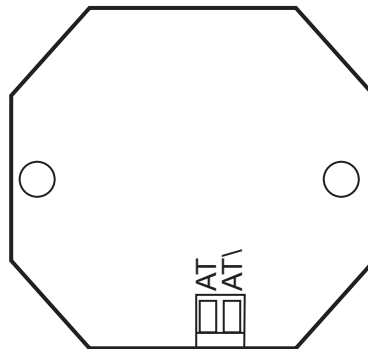


Fig. 15: Reset button (rear side)

AT	Reset button (IN)
AT\	Reset button (OUT)

UPS module (only included in the emergency system set with UPS)

Ref.-no.: NRS .. 0834 USV ..

For bridging power failures

With replaceable accumulator (ref.-no.: NRS AKKU 130)

Reports accumulator error or power failure to the emergency signal

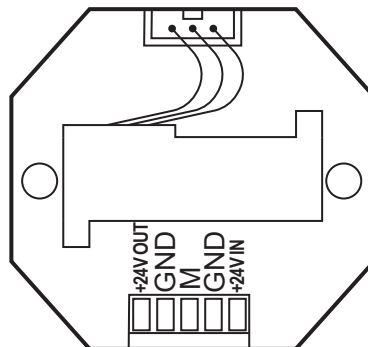


Fig. 16: UPS module (rear side)

+24V OUT	+24V external (OUT)
GND	GND external (OUT)
M	Emergency signal terminal
GND	Power supply + (IN)
+24V IN	Power supply – (IN)

Acoustic signals at emergency signal:

Accumulator use: one short signal in an interval of 12 seconds

Accumulator error: two short signals in an interval of 12 seconds

Service unit (not included in the set)

Ref-No.: NRS .. 0834 DZE ..

Optional operation and control unit with acoustical and visual call, call suppression and call interruption for 20 s.

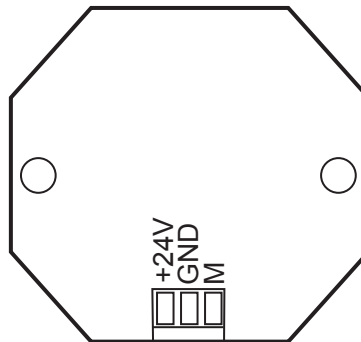


Fig. 17: Service unit (rear side)

+24V	Power supply +
GND	Power supply –
M	Emergency signal terminal

Call button (not included in the set)

Ref-No.: NRS .. 0834 RT ..

Call button with status light.

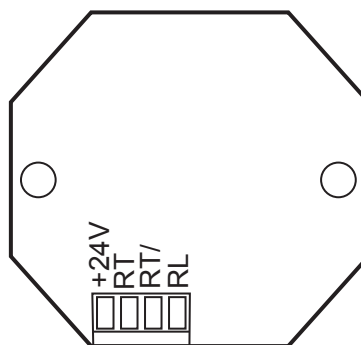


Fig. 18: Call button (rear side)

+24V	Power supply +
RT	Button (IN)
RT\	Button (OUT)
RL	Light

8 Appendix

Disposal of batteries



Remove empty batteries immediately and dispose of in an environmentally friendly manner. Do not throw batteries into household waste. Consult your local authorities about environmentally friendly disposal. According to statutory provisions, the end consumer is obligated to return used batteries.

Accessories

Emergency signal	NRS .. 0834 RM ..
Pull cord push-button	NRS .. 0834 ZT ..
Reset button	NRS .. 0834 AT ..
Power supply	NRS .. 0834 NT ..
UPS module	NRS .. 0834 USV ..
Service unit	NRS .. 0834 DZE ..
Call button	NRS .. 0834 RT ..
Service terminal	NRS DZT 20 WW
Surface-mounted housing for service terminal	NRS DZT AP WW
Deflexion pulley set	NRS ULR 0834
Accumulator for UPS module	NRS AKKU 130
Pull cord	ZS-34 KO5S

Technical data

General

Ambient temperature	+5 ... +40 °C
Storing temperature	-25 ... +75 °C
Distance emergency signal and service unit	max. 500 m
Connection 24 V	single wire, 0.3 ...1.4 mm
Wire 24 V	J-Y(St) Y 2x2x0.6

Power supply

Input voltage	AC 230 / 240 V ~
Supply frequency	50 / 60 Hz
Output voltage	DC 24 V
Output current	250 mA
System voltage	DC 24 V

(for emergency signal, call button, reset button, service unit and UPS module)

UPS module

Maximum load, mains-operated	250 mA
Battery-operated	
Output voltage	22.8 V DC, ± 10 %
Rated load for 1 hour	130 mA
Maximum load for 15 minutes	300 mA

Warranty

The warranty follows about the specialty store in between the legal framework as provided for by law.