

Power DALI potentiometer insert
Art.-No.: 240 PDPE

Operationsmanual

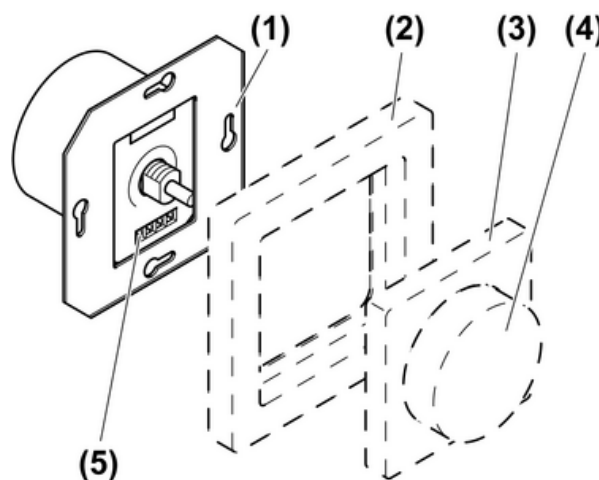
1 Safety instructions

Electrical equipment may only be installed and fitted by electrically skilled persons.

Failure to observe the instructions may cause damage to the device and result in fire and other hazards.

These instructions are an integral part of the product, and must remain with the end customer.

2 Device components



picture 1

- (1) DALI potentiometer
- (2) Frame
- (3) Central plate
- (4) Control knob
- (5) Screw terminals

3 Function

Intended purpose

- Brightness setting for luminaires with DALI interface
- Installation in appliance box to DIN 49073
- Observe the technical data.

Product characteristics

- If mains voltage is connected to the device "= active operation", it supplies the control current for 26 DALI subscribers.
- If no mains voltage is connected "= passive operation", then the device is powered using the DALI voltage and serves as an additional control section.
- Parallel switching of up to four "active" DALI potentiometers with the option of supplying up to 104 DALI subscribers.
- All the control sections have the same functionality.
- Saving of a basic brightness and a fixed switch-on brightness.

- i** To ensure fault-free operation, do not combine the device with other DALI controllers.

Behaviour after a mains voltage failure

When the mains voltage returns, the lighting is switched to that switching state in which it was located before the mains voltage failed. If the lighting was switched on, then the switch-on brightness is set.

4 Operation

- i** Operation can take place from multiple control sections and always applies to all the connected subscribers, broadcast.

Switch light

- Press the control knob.

Adjust the brightness

- Turn the control knob.

Save switch-on brightness

When the lighting is switched on, that brightness is set which existed the last time it was switched off. If the lighting is not always to be switched on with the same brightness, then this can be saved as a switch-on brightness.

- Switch on light.
- Set the required brightness.
- Press the control knob briefly twice in succession, double-click.
The lighting briefly switches to maximum brightly twice. The switch-on brightness is saved.

- i** If the lighting switches off after the double-click, then the time between the first and second presses was too long.

Delete switch-on brightness

- Switch the light off.
- Press the control knob briefly twice in succession, double-click.
After about 2 seconds the lighting switches to maximum brightness.
The switch-on brightness has been deleted.

5 Information for qualified electricians

5.1 Fitting and electrical connection



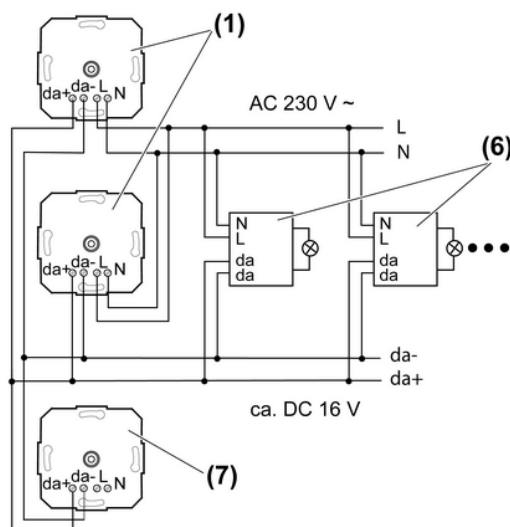
DANGER!

Electrical shock when live parts are touched.

Electrical shocks can be fatal.

Before carrying out work on the device or load, disconnect all the corresponding circuit breakers. Cover up live parts in the working environment.

Connecting and mounting the device



picture 2

- (1) DALI potentiometer "Active mode"
- (6) DALI subscriber e. g. DALI electrical ballast
- (7) DALI potentiometer without connection of mains voltage "Passive mode"
 - Connect the DALI potentiometer and DALI electrical ballast according to the wiring example (picture 2). In so doing, observe the data of the electrical ballast manufacturer.
 - When switch multiple DALI potentiometers, ensure correct polarity.
 - If multiple miniature circuit breakers supply dangerous voltages to the device or load, couple the miniature circuit breakers or label them with a warning, to ensure release is guaranteed.
- i** Ensure that the control cable is of the appropriate type, cross-section and routing for the VDE specifications for 250 V cable, control voltage has basic insulation.
- i** The control cable and load cable can be run in a shared cable, e.g. NYM J 5×1.5.
- i** The connected DALI subscribers may be operated on different phases.

5.2 Commissioning

Saving a basic brightness

The basic brightness should be a state when turning the DALI potentiometer does not directly lead to an increase in brightness.

- Switch the lighting on minimum brightness.
- Turn the DALI potentiometer to the point that where the brightness begins to increase.
- Press the control knob for longer than 10 seconds.

The lighting switches briefly off and on again. The basic brightness is saved.

- i** Any basic brightness can be saved from which it is possible to add brightness.

Deleting the basic brightness

- Switch the lighting off.
- Press the control knob for longer than 10 seconds.

Briefly switch the lighting to maximum brightness and then off again. The basic brightness has been deleted.

- i** DALI subscribers of different manufacturers may deviate from the acknowledgements given here.

6 Appendix

6.1 Technical data

Rated voltage	AC 230 V ~
Mains frequency	50 / 60 Hz
Power consumption	max. 2 W
Ambient temperature	-5 ... +45 °C
DALI rated voltage	DC 16 V (typical)
Output current	max. 52 mA
Connection	
Single stranded	max. 4 mm ²
Number of DALI subscribers	max. 26
Number of "active" DALI potentiometers	max. 4

6.2 Warranty

We reserve the right to make technical and formal changes to the product in the interest of technical progress.

We provide a warranty as provided for by law.

Please send the unit postage-free with a description of the defect to our central customer service office:

ALBRECHT JUNG GMBH & CO. KG

Service Center
Kupferstr. 17-19
D-44532 Lünen
Service-Line: +49 (0) 23 55 . 80 65 51
Telefax: +49 (0) 23 55 . 80 61 89
mail.vka@jung.de

General equipment

Service-Line: +49 (0) 23 55 . 80 65 55
Telefax: +49 (0) 23 55 . 80 62 55
mail.vkm@jung.de

KNX equipment

Service-Line: +49 (0) 23 55 . 80 65 56
Telefax: +49 (0) 23 55 . 80 62 55
mail.vkm@jung.de

The € symbol is a free trade symbol, which is solely intended for the authorities and does not guarantee any properties.

ALBRECHT JUNG GMBH & CO. KG

Volmestraße 1
D-58579 Schalksmühle

Telefon: +49.23 55.8 06-0
Telefax: +49.23 55.8 06-1 89
E-mail: mail.info@jung.de
Internet: www.jung.de
www.jung-katalog.de